





Duo shower rail with Type T (thermostatic) 1/2" external bar  
**CSTQ57**



## Specifications

### Descriptions

- G3/4" inlet female
- Thermostatic cartridge
- 1/2" male X 3/4" male adaptor
- Ceramic cartridge/diverter
- Expandable rail
- 458, 20 cm (8") plastic shower head
- 4365, 2-jet hand shower
- Ø 24mm (1") Slide Bar

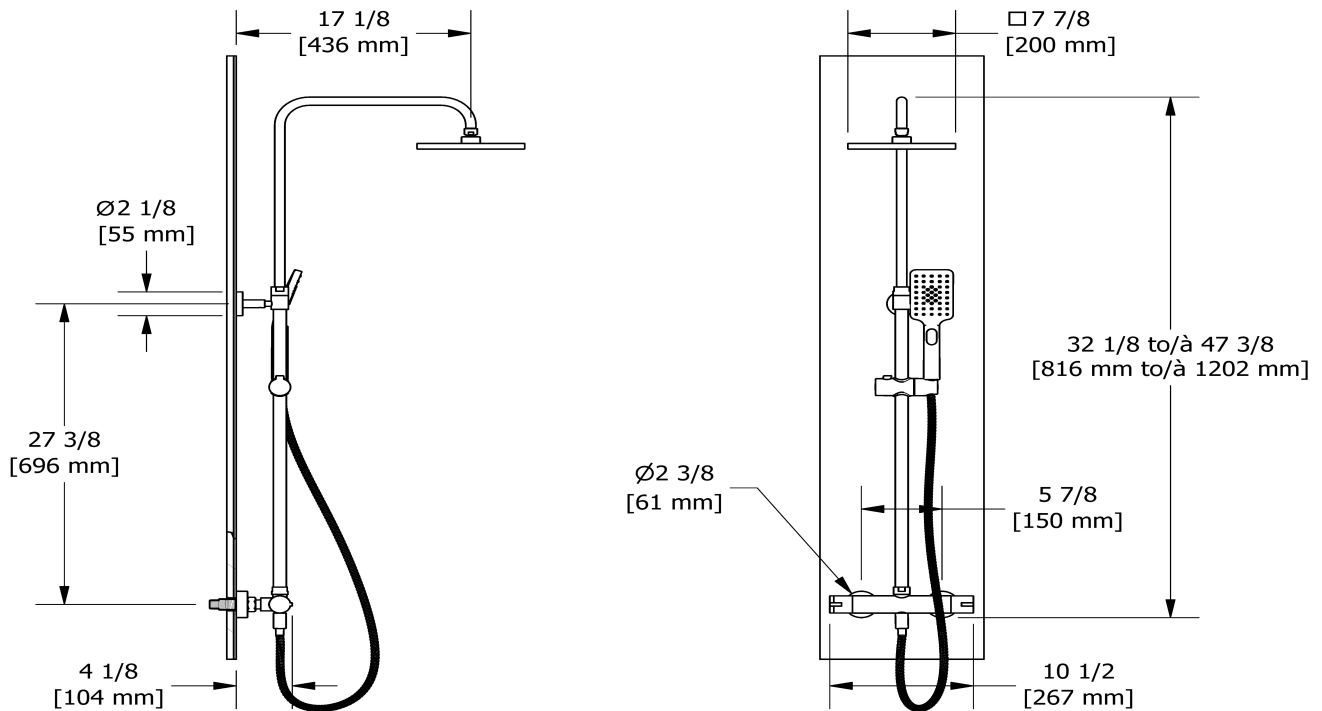
### Available colors

- C : Chrome

### Certifications

- CSA B125.1
- ASME A112.18.1
- ASSE 1016
- CMR248 Approval

UPC®



Sizes, models and finishes may differ from those presented.

### Warranty

This **Riobel Inc.** product you have purchased carries a Limited Lifetime Warranty on the chrome, PVD finish, blacks and all working parts and is guaranteed from the initial purchase date against all manufacturing defects. All other finishes, including plastic components, are guaranteed for one year. All electric and/or electronic parts are covered by a 5-year limited warranty.

### Customer Service

Ontario, West Canada : 888-287-5354 Quebec, Maritimes, United States : 866-473-8442

2020.11.06