



**TRADITIONAL 2-LEVER KITCHEN FAUCET WITH SIDESPRAY**

Perrin & Rowe® Filtration featuring “Triflow® Technology”

**UKIT1570LS**

**FEATURES**

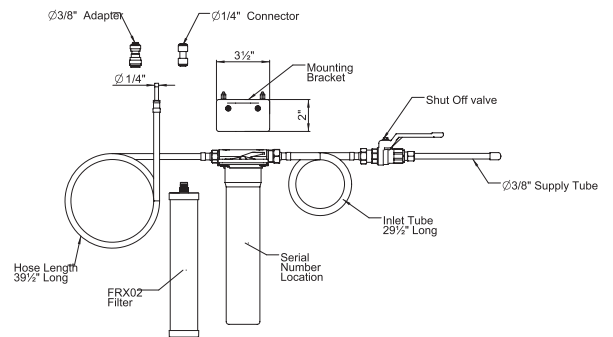
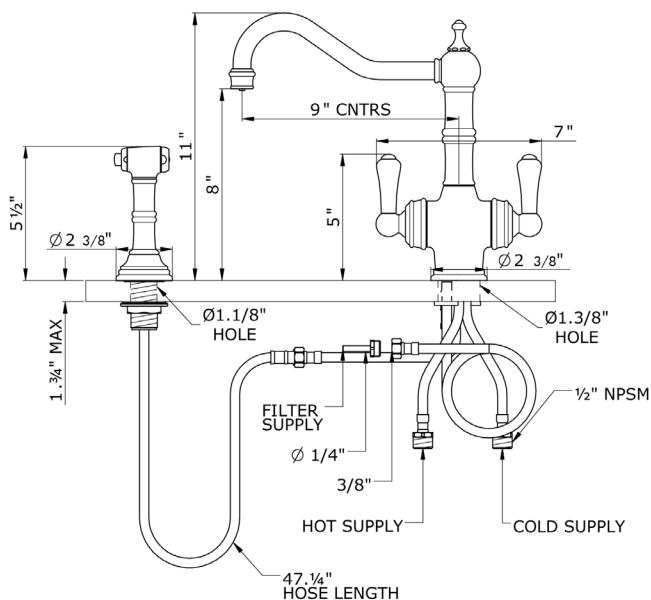
- Metal lever handles only
- Made from solid brass barstock, CNC machined
- Ceramic disc control cartridge
- Insulated brass sidespray
- 1 3/4" max. installation depth on deck
- Faucet made in England. Filter made in Switzerland.
- 9" reach swivel spout, 11" overall height
- Filtered water .5 GPM, hot and cold water 1.5 GPM @ 45 PSI

**FINISHES**

- Polished Chrome
- Polished Nickel
- Satin Nickel
- English Gold\*
- English Bronze
- Satin English Gold\*
- Unlacquered Brass\*\*

**WARRANTY**

- Limited Lifetime
- (\*) 5-Year Limited Warranty
- (\*\*) No Warranty



# ROHL

Authentic Luxury for Kitchen and Bath®



www.rohlhome.com

## INSTALLATION INSTRUCTIONS

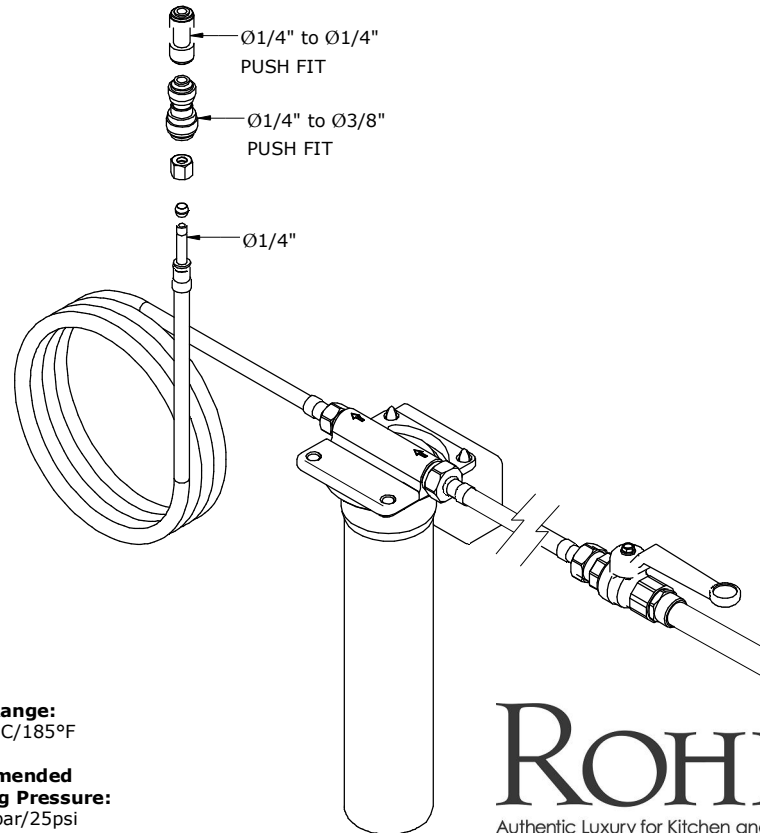
# ROHL

Authentic Luxury for Kitchen and Bath™

**The Kitchen Filtration Collection**

**Arolla™ Filter Installation Guide**

### • HRK-2000 Arolla Filter Fitted with HRF-1000 Filter Cartridge



**Temp Range:**  
Max 85°C/185°F

**Recommended Working Pressure:**  
Min 1.7bar/25psi  
Max 5bar/75psi

# ROHL

Authentic Luxury for Kitchen and Bath™

**Please register your new product.**  
**Complete the enclosed registration card, or call Toll free on 800.777.9762**

## INSTALLATION INSTRUCTIONS

Congratulations on the purchase of your ROHL Arolla™ Filtration product. Correctly installed and with sensible care, this product will give you many years of trouble free service.

### IMPORTANT INFORMATION

**These are instructions for ROHL Arolla Filtration. Please read carefully to ensure correct installation.**

**Before you proceed... We recommend you engage the services of a registered plumber to install this product.**

### Preparation for Installer

Flush the plumbing system before installing the Kitchen product.

Ensure you have the correct fittings to connect to the filter faucet

**1**  $\varnothing 3/8"$  Main Cold Feed

Flow Direction

Install the supplied stop valve in an easily accessible area to allow access to turn off the water supply in the future, for servicing and cartridge replacement.

1" Minimum  
Allow room around the housing  
Base of cabinet

Position the filter housing leaving room around it for future access and cartridge replacement. Mark the screw holes ready for pilot holes. Leave room for the Pre-filter housing if necessary.

**2**

Flow direction  
Check the hose length for distance  
Filter HRK-2000

Drill the pilot holes and screw the filter housing bracket in position. Making sure to keep as level as possible.

Remember to leave room for servicing the cartridge housings.

**3** **Flow direction**

To Filtered Tap  
Supplied hose  
Filter HRK-2000  
Flow direction

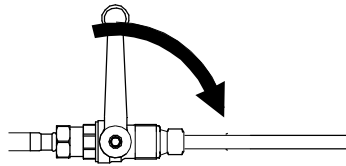
Tighten the hoses from the stop valve to the housings following the flow of the water shown on the cap.

**4**

Filter Connection Kit  
To Filter Tap  
Main cold feed  
 $\varnothing 1/4"$  Connector  
 $\varnothing 1/4"$  to  $\varnothing 1/4"$  Connector  
 $\varnothing 1/4"$  to  $\varnothing 3/8"$  Connector

## INSTALLATION INSTRUCTIONS

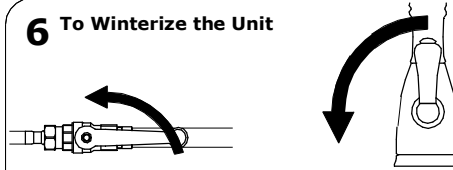
**5**



Turn on the main supply valve. Run the filtered water for 2 minutes to flush the system, and carefully check the system for leaks. The system is now ready for use.

Small air pockets may remain in the ceramic filter which may cause the water to appear cloudy, this is normal and will disappear with continued use.

**6 To Winterize the Unit**



Shut off mains supply. A stop valve was supplied with the system for this purpose, and will be located on the adjacent pipe work.

If you plan to be away from home for extended periods, carry out the procedures above, to prevent the risk of freezing. Freezing will invalidate the warranty.

Turn the filtered lever on the faucet to the on position. This will confirm the water supply is off, and release the pressure in the system.

### IMPORTANT NOTES

Do not use with water, that is microbiologically unsafe or of unknown quality without adequate disinfection before or after the system. Systems certified for cyst reductions may be used on disinfected waters that may contain filterable cysts.

Please ensure that the installation complies with applicable State & local plumbing codes.

System is to be supplied with cold water only.

### CARE & MAINTENANCE

Wipe down after use to avoid water spotting and mineral build up.  
Replace HRF-1000 every six (6) months or 1,000 Gallons usage.

## INSTALLATION INSTRUCTIONS

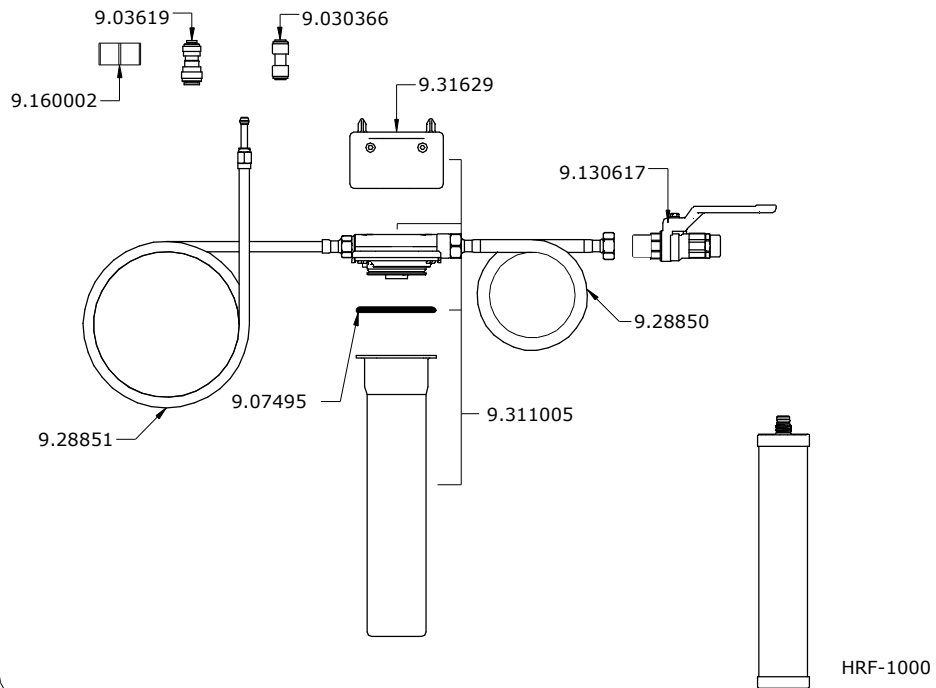
### ROHL WARRANTY POLICY

All products supplied by ROHL carry warranties against manufacturing defects.

Our products carry a Limited Lifetime Warranty.

For full ROHL LLC WARRANTY please contact ROHL or visit [www.rohlhome.com](http://www.rohlhome.com)

### SPARES



# ROHL®

Authentic Luxury for Kitchen and Bath®



[www.rohlhome.com](http://www.rohlhome.com)

## INSTALLATION INSTRUCTIONS

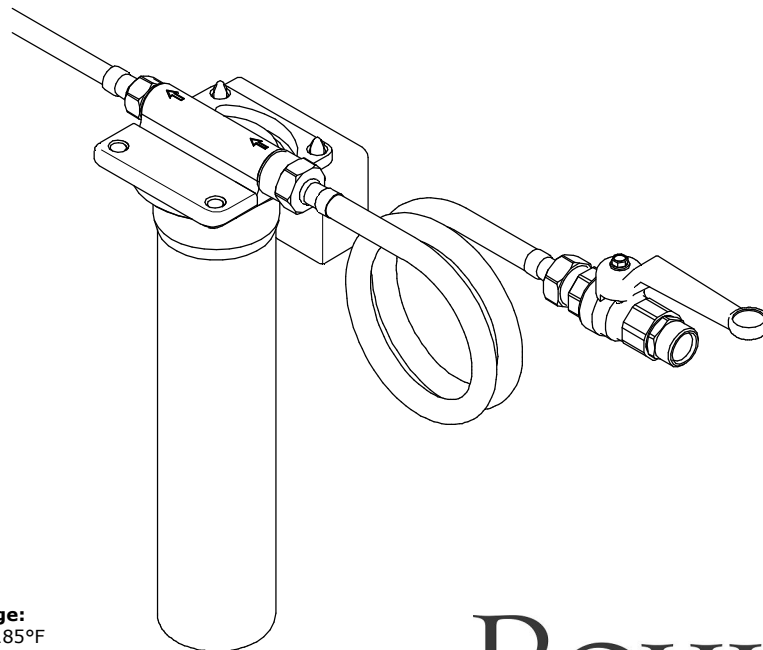
# ROHL®

Authentic Luxury for Kitchen and Bath™

### The Kitchen Filtration Collection

### Arolla™ Filter Replacement Guide

- HRK-2000 Filtration Canister
- HRF-1000 Replacement Filter



**Temp Range:**  
Max 85°C/185°F

**Recommended Working Pressure:**  
Min 1.7bar/25psi  
Max 5bar/75psi

**Please register your new product.  
Complete the enclosed registration card, or call Toll free on 800.777.9762**

# ROHL®

Authentic Luxury for Kitchen and Bath™

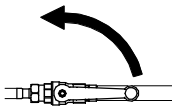
## INSTALLATION INSTRUCTIONS

*Thank you for your continuing support of the ROHL Filtration products*

### IMPORTANT INFORMATION

The following instructions are for the filter replacement you are installing. Please read carefully to ensure correct installation.

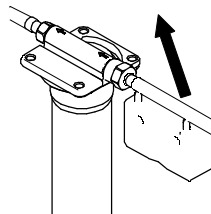
**1**



Shut off main supply. A stop valve was supplied with the system for this purpose, and will be located on the adjacent pipe work.

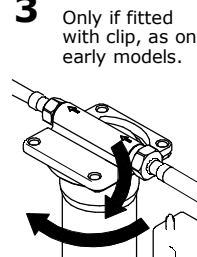
Turn the filtered lever on the faucet to the on position. This will confirm the water supply is off, and release the pressure in the system.

**2**



Lift the filter unit from its retaining bracket.

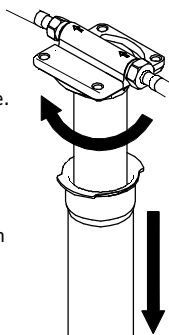
**3**



Only if fitted with clip, as on early models.

Holding the cap clip down rotate the housing clockwise a quarter turn and slide the housing down.

**4**

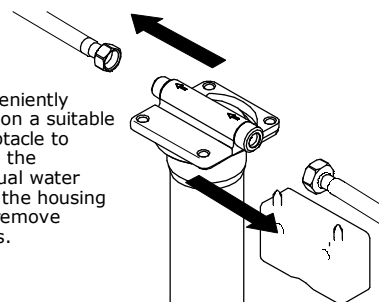


Slide the housing off the filter cartridge. While holding the cap firmly, unscrew the cartridge. Discard the cartridge with your house-hold waste, wrapped in news paper or placed in a polythene bag.

If space is restricted slide the housing down and then unscrew the cartridge. Then remove both the cartridge and the housing together.

Wash the housing in warm soapy water, then rinse well.

**5** : Only if necessary due to restricted access.



Conveniently position a suitable receptacle to catch the residual water from the housing and remove hoses.

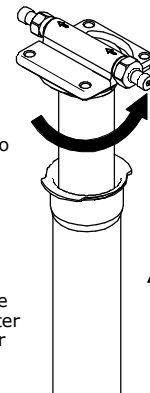
## INSTALLATION INSTRUCTIONS

6



Take the new cartridge and wet the two 'O' seals on the threaded end of the cartridge.

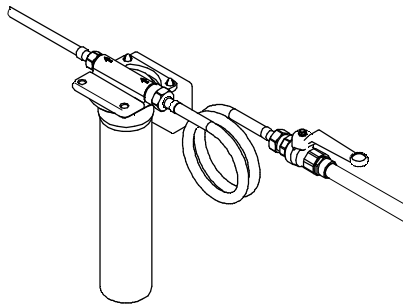
7



Screw carefully into the female thread on the inside of the cap. Fit the housing back over the cartridge with a quarter turn counter clockwise

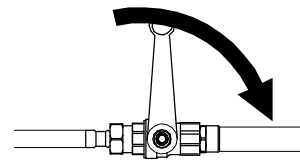
Please Note: The cartridge is fragile and can be easily damaged if not handled carefully. Care should therefore be taken when screwing the cartridge into the housing cap. Be careful not to cross thread or over tighten the cartridge.

8



Replace the unit on the bracket, and (if removed) tighten the hoses onto the cap.

9



Turn on the main supply valve. Run the filtered water for 2 minutes to flush the system, and carefully check the system for leaks. The system is now ready for use.

Small air pockets may remain in the ceramic filter which may cause the water to appear cloudy. This is normal and will disappear with continued use.

### IMPORTANT NOTE

Do not use with water, that is microbiologically unsafe or of unknown quality without adequate disinfection before or after the system.

With a rated service capacity of 3406 litres (900 gallons) the HRF-1000 filter cartridge should be replaced every six months to ensure optimum performance.

### To Winterize the Unit

If you plan to be away from home for extended periods, or the filter housing maybe subject to the risk of freezing, carry out the procedures 1-2 as above. When the risk of freezing has subsided or you wish to use the system again open the main supply and allow the water to run for 2 minutes to flush the system, the system is now ready to use. Freezing will invalidate the warranty.



## INSTALLATION INSTRUCTIONS

### ROHL WARRANTY POLICY

All products supplied by ROHL carry warranties against manufacturing defects.

Our products carry a Limited Lifetime Warranty.

For full ROHL LLC WARRANTY please contact ROHL or visit [www.rohlhome.com](http://www.rohlhome.com)



Replacement Filter HRF-1000 installed in the  
HRK-2000 Filtration canister

## INSTALLATION INSTRUCTIONS

### The Perrin and Rowe Collection Filter Installation Guide

Congratulations on the purchase of your Perrin and Rowe/Triflow filtration Product. Correctly installed and with sensible care, this product will give you many years of trouble free service.

#### IMPORTANT INFORMATION

**These are instructions for Triflow filters and the optional add on pre-filter version of the model you are installing. Please read carefully to ensure correct installation.**

**Before you proceed... We recommend you engage the services of a registered plumber to install this product.**

**In addition to the guide below it is essential that the written information overleaf is carefully read and understood.**

#### Preparation for Installer

Flush the plumbing system before installing the Kitchen product.

Ensure you have the correct fittings to connect to the filter faucet

**1**  $\phi 3/8"$  Main Cold Feed

Install the supplied stop valve in an easily accessible area to allow access to turn off the water supply in the future, for servicing and cartridge replacement.

Position the filter housing leaving room around it for future access and cartridge replacement. Mark the screw holes ready for pilot holes. Leave room for the Pre-filter housing if necessary.

**2**

Drill the pilot holes and screw the filter housing bracket in position. Making sure to keep as level as possible.

Remember to leave room for servicing the cartridge on both housings.

**3** **Flow direction**

Tighten the hoses from the stop valve to the housings following the flow of the water shown on the cap.

**INSTALL PRE-FILTER HERE. (Follow steps 7 to 8)**

If installing a Pre-filter the system flows from the stop valve to the Pre-filter and on to the filter housing and then up to the filter tap.

**4**

**Install Pre-filter here. (Follow steps 7 to 8)**

With the supplied connector kit connect the hose from the filter housing to the filter tap using one of the connectors.

**ROHL**  
Authentic. Luxury for Kitchen and Bath.®

3 Parker  
Irvine, CA 92618  
800-777-9762  
www.rohlhome.com