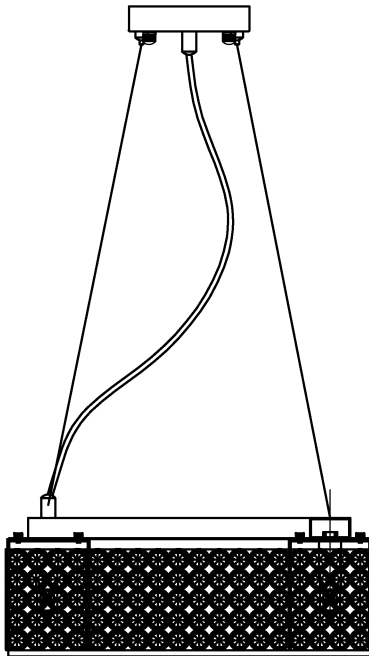


Trade Mark:  
CRYSTAL WORLD INC


Product Name: Pendant lamp  
Model :QS8391P14C-S  
120Vac, 60Hz,AC ONLY  
Lamp Size:L14"XW14"XH16"

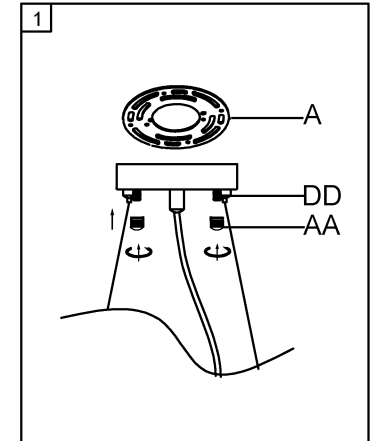


## PENDANT LAMP ASSEMBLY INSTRUCTIONS

1. Place fixture(A) onto mounting screws (DD).secure with cap nuts (AA).

### Hardware Used

AA Cap nut		X 2
DD Mounting screw		X 2



2. Install light bulbs ( not included).

Use bulb  
**120V G9 8\*40W Max.**

