

**STEP 7 - Install Rod to Plate.**

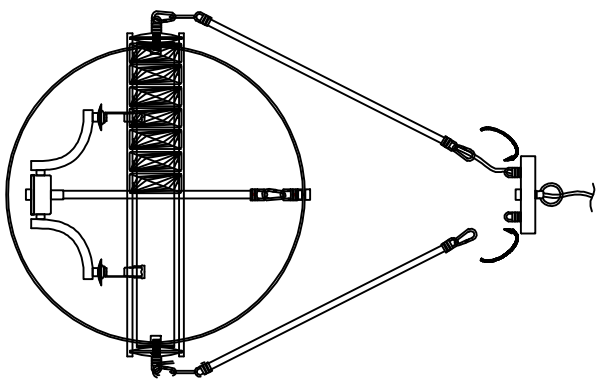


Figure 7

**STEP 8 - Install Chain to Calling Canopy.**

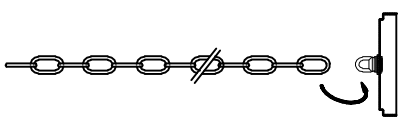


Figure 8

**STEP 9 - Install Crystal Ball**

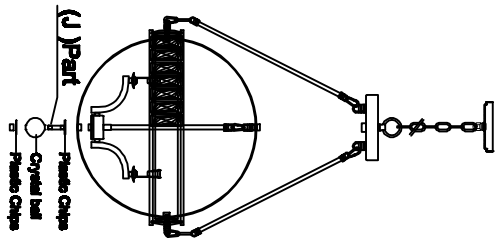


Figure 9

**STEP 10 - Install the Canopy Chain Loop and Nipple**

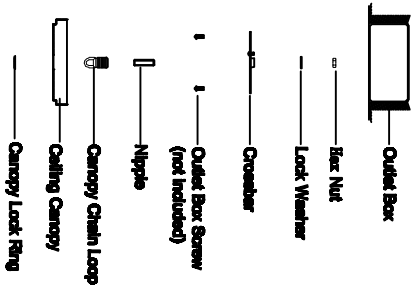


Figure 10

**STEP 11 - Install the Fixture Chain and Calling Canopy**

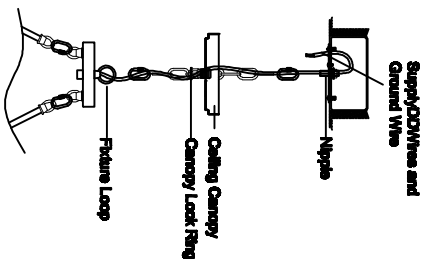


Figure 11

**STEP 12 - Wire Connections**

A. Use standard wire connectors (not included) to make all wire connections. Twist connectors until wires are tightly joined together. Wrap each connection with approved electrical tape and carefully stuff all the connected wires into the Outlet Box.

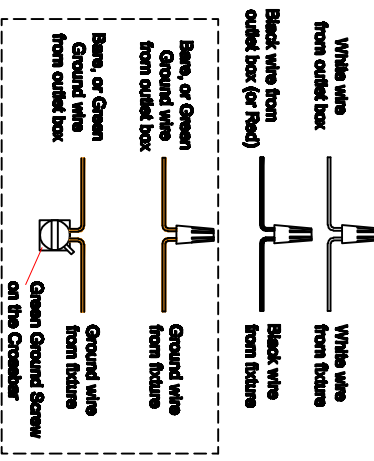


Figure 12

**STEP 13 - Install Bobeches, Candle Covers and Bulbs.**

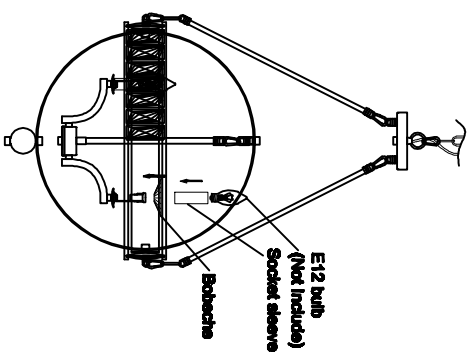


Figure 13