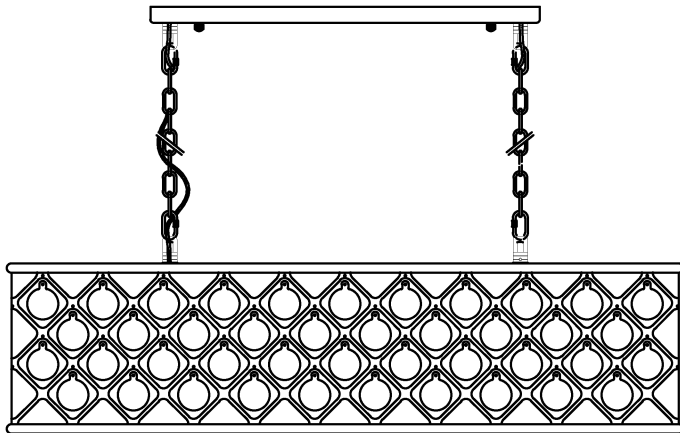



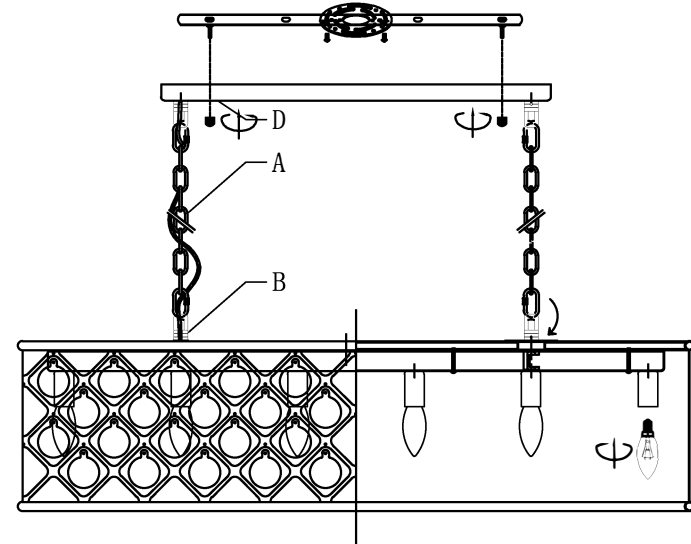
Trade Mark:
CRYSTAL WORLD INC

Product Name: Pendant lamp
Model :9862P41-6-101
120Vac, 60Hz,AC ONLY
Lamp Size:Ø39"*H10"



PENDANT LAMP ASSEMBLY INSTRUCTIONS

- 1.Please fix (D,B) with (A).
- 2.Please fix (C) with (B).
- 3.Install bulbs (NOT INCLUDED).USE 120V E12  6*40W Max.




104PCS

