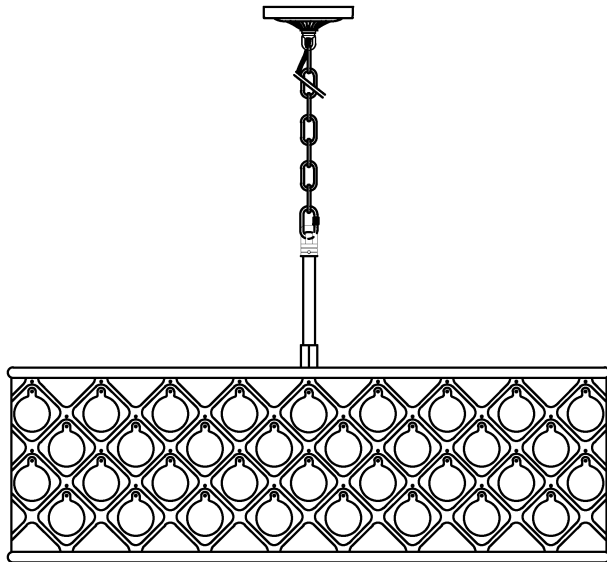


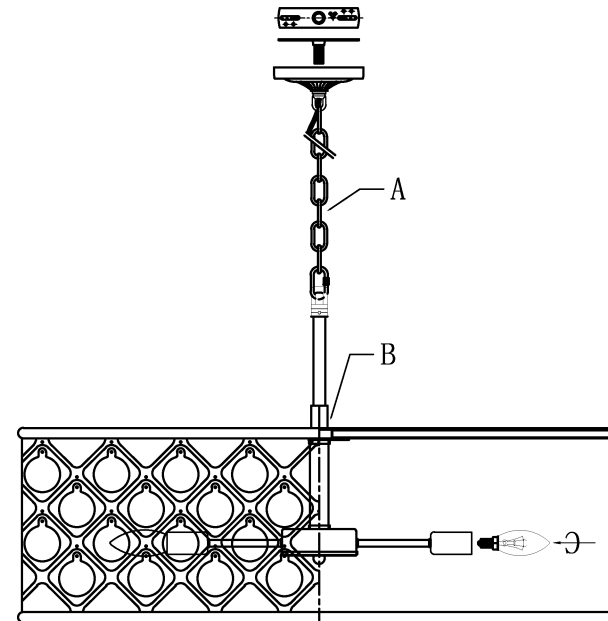
Trade Mark:
CRYSTAL WORLD INC


Product Name: Pendant lamp
Model :9862P32-8-101
120Vac, 60Hz,AC ONLY
Lamp Size:Ø32"*H10"



PENDANT LAMP ASSEMBLY INSTRUCTIONS

1. Please fix (A) with (B).
2. Install bulbs (NOT INCLUDED).USE **120V E12**  **8*40W Max.**




108PCS

