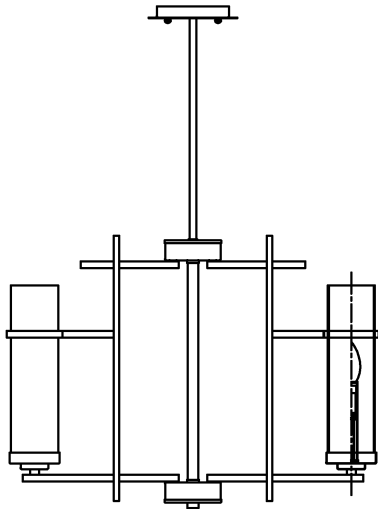


Trade Mark:
CRYSTAL WORLD INC

Product Name: Pendant lamp
Model :9827P26-8-101
120Vac, 60Hz,AC ONLY
Lamp Size: Ø26*H19"

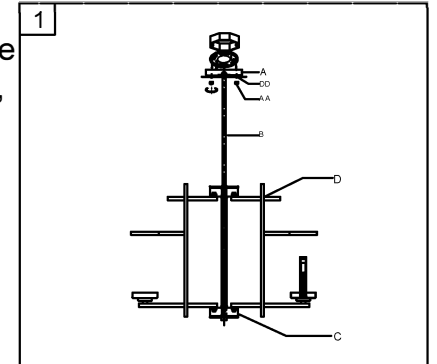


PENDANT LAMP ASSEMBLY INSTRUCTIONS

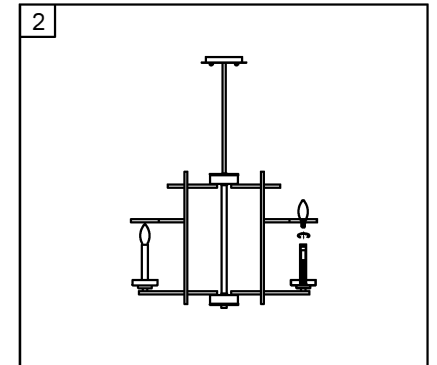
1.Place fixture(A)onto mounting screws (DD).secure with cap nuts (AA). Please fix (A) with (B).(B) with (C),(C) with (D),

Hardware Used

AA Cap nut		X 2
DD Mounting screw		X 2



2.Install light bulbs (not included).
Use bulb
120V E12 8*40W Max.



3.Install glass shade



Ø85*H320*T2.0MM

8pcs

