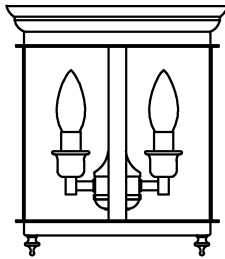



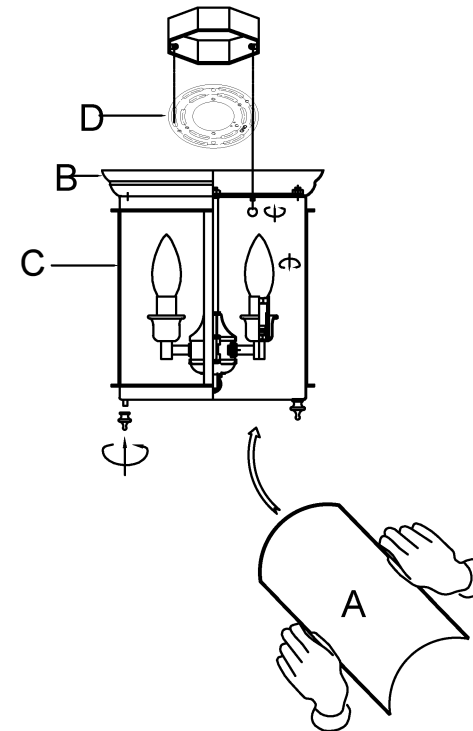
Trade Mark:  
CRYSTAL WORLD INC

Product Name: Ceiling lamp  
Model :9809C10-3-109  
120Vac, 60Hz,AC ONLY  
Lamp Size:D10"\*H11"

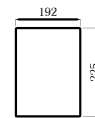


## PENDANT LAMP ASSEMBLY INSTRUCTIONS

1. Please put the glass(A) on the (C).
2. Please fix (B) with (C).
2. Please fix (D) with (B).
3. Install bulbs ( NOT INCLUDED).USE **120V E12**  **3\*40W Max.**



A



3PCS

