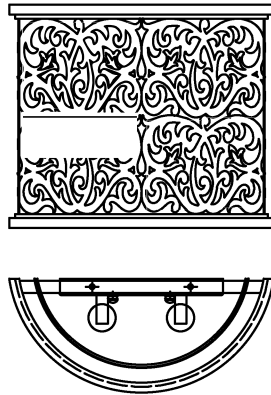


Trade Mark:
CRYSTAL WORLD INC

Product Name: Wall lamp
Model :9807W13-2-116
120Vac, 60Hz,AC ONLY
Lamp Size:W13"*H11"*E6"





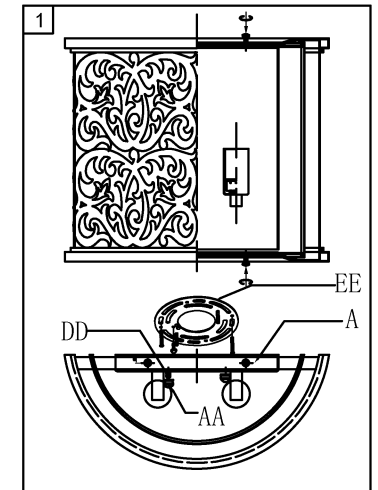

C ESTD 1989 US
Intertek
4006677


WALL LAMP ASSEMBLY INSTRUCTIONS

1. Place fixture(A) onto Butterfly (EE).
Secure(DD) with cap nuts (AA).

Hardware Used

AA Cap nut		X 2
DD Mounting screw		X 2



2. Install light bulbs (not included).
Use bulb
120V E12  **2*40W Max.**

