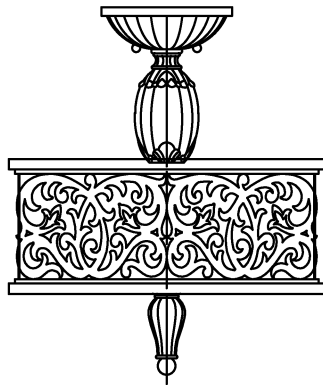


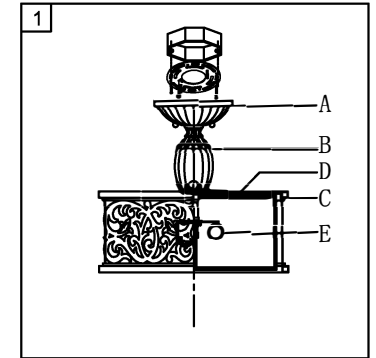
Trade Mark:  
CRYSTAL WORLD INC

Product Name: Pendant lamp  
Model :9807C14-3-116  
120Vac, 60Hz,AC ONLY  
Lamp Size:Ø14\*H15"

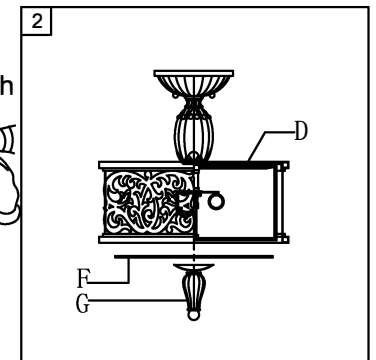
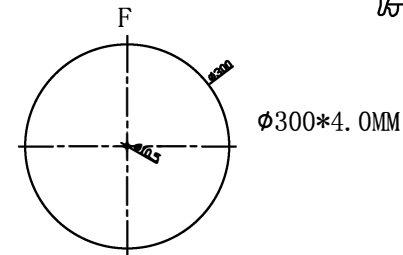


## CEILING LAMP ASSEMBLY INSTRUCTIONS

1. Please fix (A) with (B), (C) with (D), (E) with (D).



2. Please hang the glass (F) to the (D) fixture. Please fix (G) with (D) secure with screw.



3. Install light bulbs (not included).  
Use bulb  
**120V E26 3\*60W Max.**

