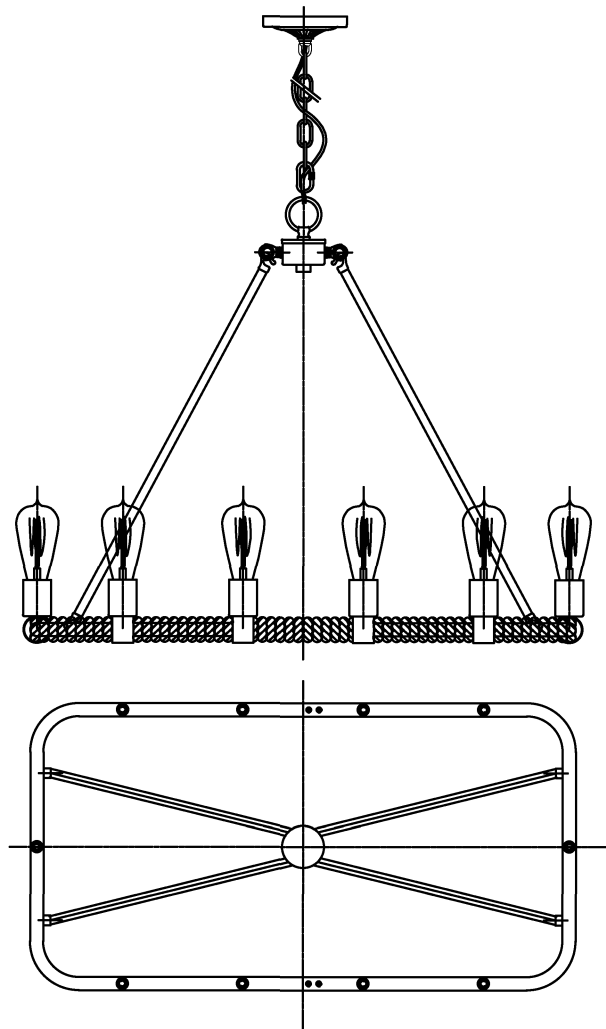


Product Name: Pendant lamp
Model :9671P32-10-130
120Vac, 60Hz, AC ONLY
Lamp Size:L32"*W17"*H85"

Trade Mark:
CRYSTAL WORLD INC



PENDANT LAMP ASSEMBLY INSTRUCTIONS

Install bulbs(NOT INCLUDED).USE 120V E26 10*60W Max.

