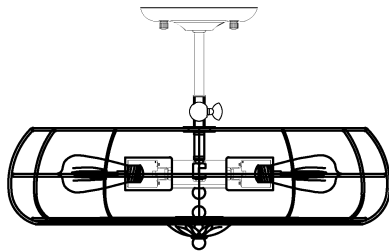


Trade Mark:  
CRYSTAL WORLD INC



Product Name: Ceiling lamp  
Model :9606C19-5-128  
120Vac, 60Hz,AC ONLY  
Lamp Size:D19"\*H17"

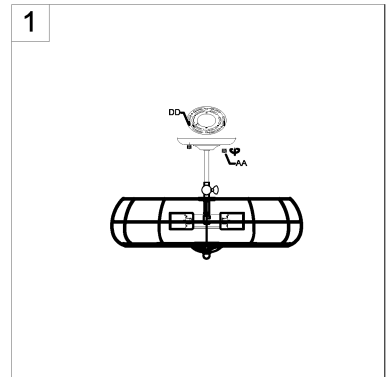



## CEILING LAMP ASSEMBLY INSTRUCTIONS

1. Place fixture(A) onto mounting screws (EE). Secure with cap nuts (AA).

### Hardware Used

- DD Mounting screw   
AA Cap nut 



2. Install bulbs ( NOT INCLUDED).  
USE  
**120V E26  5\*40W Max.**

