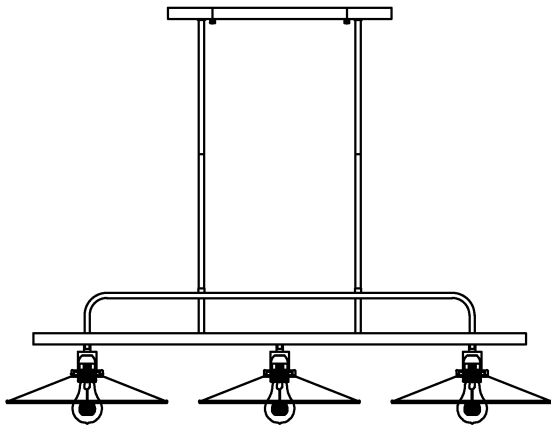


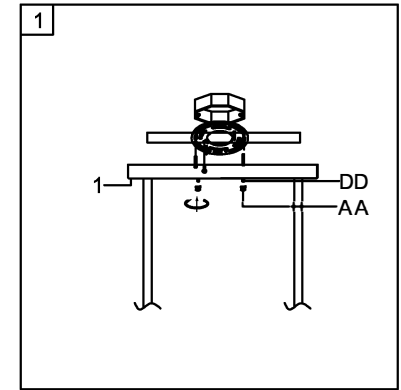
Trade Mark:  
CRYSTAL WORLD INC

Product Name: Pendant lamp  
Model :9605P46-3-101  
120Vac, 60Hz,AC ONLY  
Lamp Size:L46"W12"\*H11"




## PENDANT LAMP ASSEMBLY INSTRUCTIONS

1. Place fixture (1) onto mounting screws (DD). Secure with Cap nut (AA).

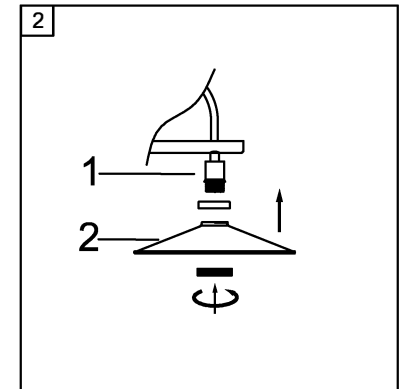


### Hardware Used

AA Cap nut  X 2

DD Mounting screw  X 2

2. Please fix part (2) with part (1).



3. Install lighting bulbs ( not included).

USE 120V E26  3\*40W Max.

