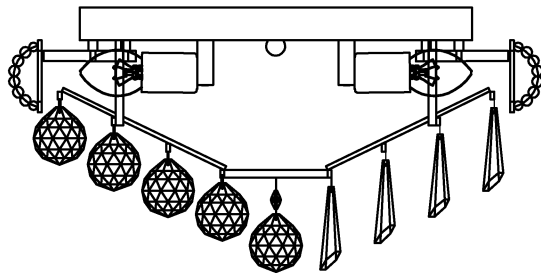


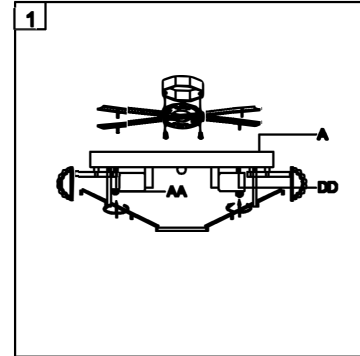
Trade Mark:
CRYSTAL WORLD INC

Product Name: Ceiling lamp
Model :8040C16C
120Vac, 60Hz,AC ONLY
Lamp size:Ø16"XH8"



CEILING LAMP ASSEMBLY INSTRUCTIONS

1.Place fixture(A) onto mounting screws (DD),secure with cap nuts (AA).






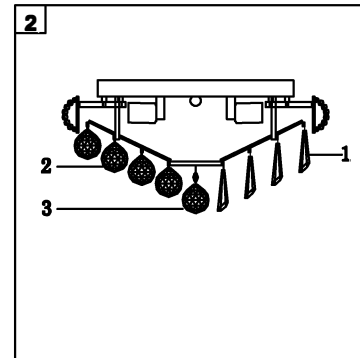
Hardware Used


AA Cap nut  X 4

DD Mounting screw  X 4

2.Please put the crystal (1) (2) (3) in the fixture .

1	2	3
		
1.63mm *1PCS	40mm*1pcs	14mm*1pcs 40mm*1pcs
40PCS	40PCS	1PCS



3.Install light bulbs (not included).
Use bulb  6*40W Max.

