

Assembly Instruction Sheet #IS-8012P12 For Style 8012P12

Tools Required: Flathead screwdriver, Phillips screwdriver, pliers, wire cutters, wire strippers, electrical tape, safety glasses.
Light Source: (2) E12 Candabra Base Bulbs 60W Maximum(not include)
Estimated Assembly Time: 20-30 minutes

Preparation: Identify and inspect all parts before beginning installation. Check package content list and diagrams before to be sure all parts are present. If any parts are missing or damaged, do not attempt to assemble, install, or operate the fixture. Contact customer service for replacement parts.

Warnings and Cautions

Turn off electricity at circuit breaker or main fuse box before installation. Consult a licensed electrician if in doubt. These instructions are provided for your safety. It is very important you read them completely before installing the fixture. We strongly recommend that a licensed, professional electrician perform the installation. Disconnect fixture from power source before replacing bulbs. Make sure bulbs are given sufficient time to cool before removal.

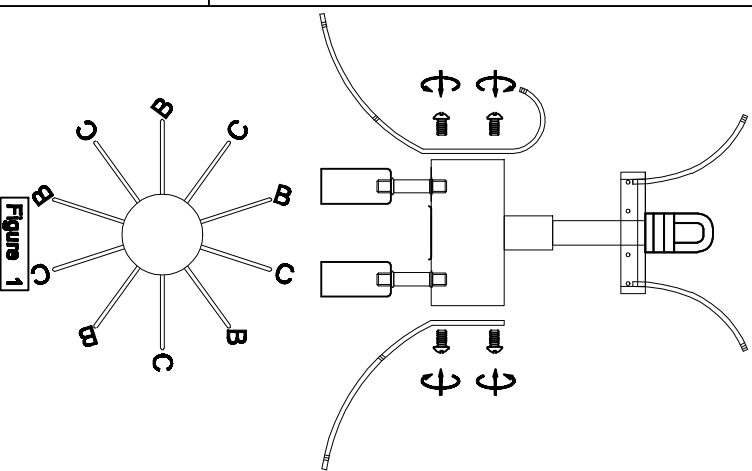
Package Contents

- A** Fixture Body x1
- B** Strap iron x5
- C** Strap iron x5
- D** Ceiling Canopy x1
- 1** 14mm*3PCS Crystal x10
- 2** 14mm*3PCS Crystal x10
- 3** 30mm*1PCS Crystal x10
- 4** 14mm*5PCS 30mm*1PCS Crystal x10
- 5** 14mm*7PCS 30mm*1PCS Crystal x3

Hardware Contents

PART	DESCRIPTION	QUANTITY
BB	Wire nut	2pcs
EE	Outlet Box Screw	2pcs
BB	BB	BB
EE	EE	EE

STEP 1 -Install Strap Iron to Fixture's Body .



STEP 2 - Install the Canopy Chain Loop and Nipple

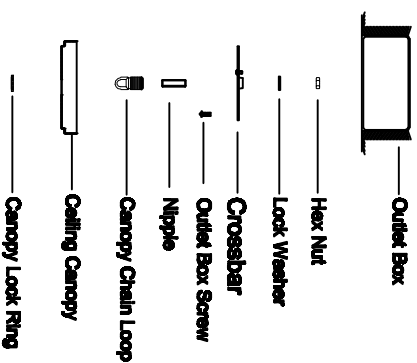


Figure 2

STEP 3 - Install the Fixture Chain and Ceiling Canopy

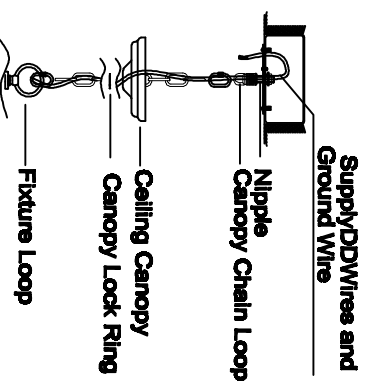


Figure 3

STEP 4 - Wire Connections

All use standard wire connectors (not included) to make all wire connections. Twist connectors and wires are tightly joined together. Wrap each connection with approved electrical tape and carefully stuff all the connected wires into the Outlet Box.

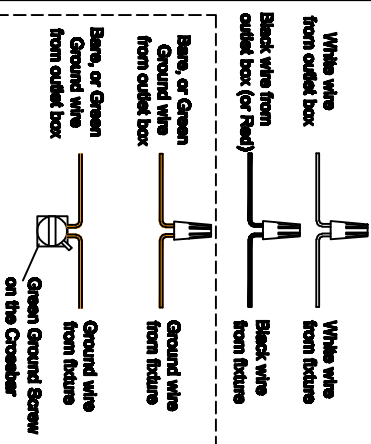


Figure 4

STEPS 5 - Install Crystal and Bulbs.

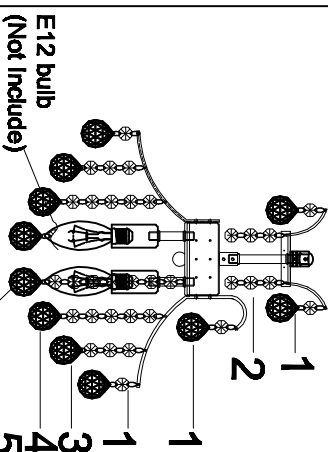


Figure 5