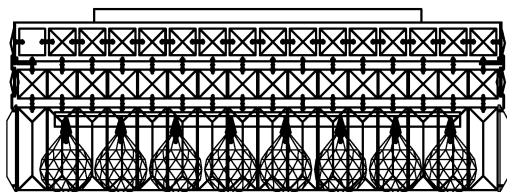


Trade Mark:
CRYSTAL WORLD INC

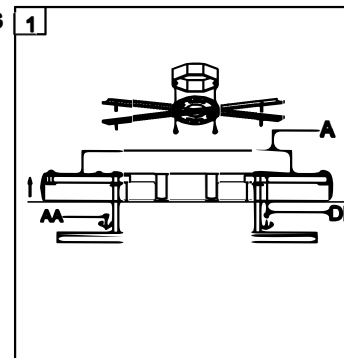
Product Name: Ceiling lamp
Model :8005C14C-S
120Vac, 60Hz,AC ONLY
Lamp size:L14"XW14"XH6"



Intertek
4006677

CEILING LAMP ASSEMBLY INSTRUCTIONS

1. Place fixture(A) onto mounting screws (DD). secure with cap nuts (AA).

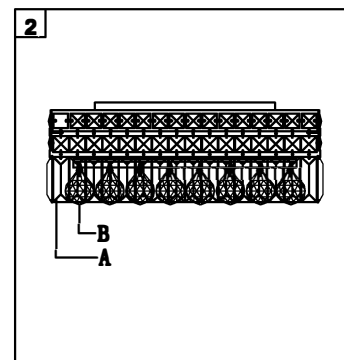
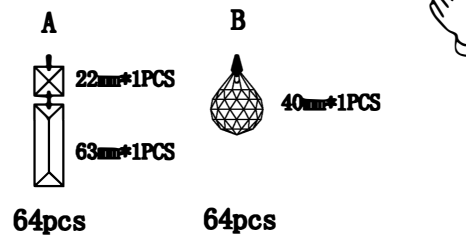


Hardware Used

AA Cap nut  X 4

DD Mounting screw  X 4

2. Please put the crystal (A) (B) to the fixture .



3. Install light bulbs (not included).
Use bulb  5*40W Max.

