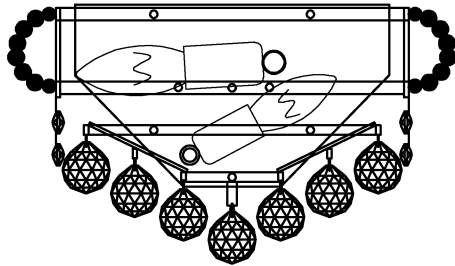


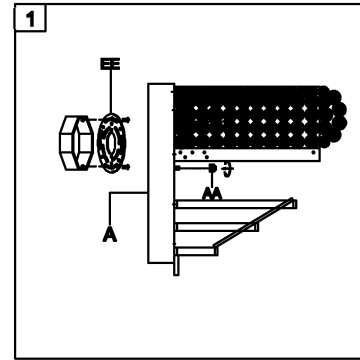
Trade Mark:  
CRYSTAL WORLD INC

Product Name: Wall lamp  
Model :8001W12C-A  
120Vac, 60Hz,AC ONLY  
Lamp Size:W12"xH7"xE7"



## WALL LAMP ASSEMBLY INSTRUCTIONS



1.Place fixture(A) onto Butterfly (EE).  
Secure with cap nuts (AA).

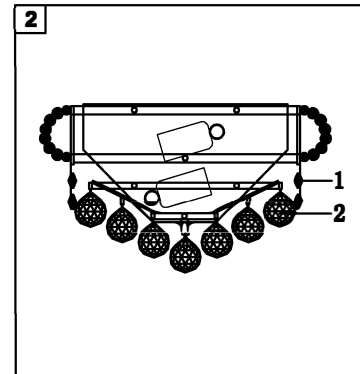



### Hardware Used

AA Cap nut            X 2

2.Please hang the crystal (1) (2) to the fixture.

1  14mm\* 2PCS  
2  30mm\* 1PCS  
19PCS



3.Install light bulbs ( not included).  
Use bulb  2\*40W Max.

