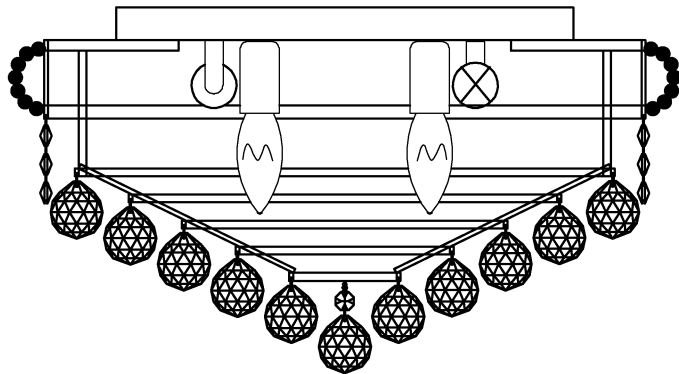


Trade Mark:  
CRYSTAL WORLD INC

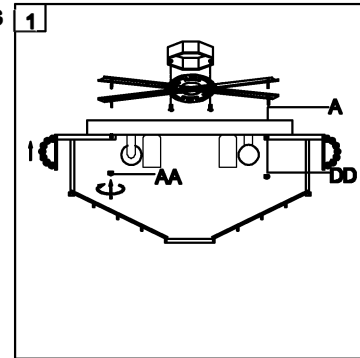
Product Name: Ceiling lamp  
Model :8001C20G  
120Vac, 60Hz,AC ONLY  
Lamp size:Ø20"XH11"



Intertek  
4006677

## CEILING LAMP ASSEMBLY INSTRUCTIONS




1. Place fixture(A) onto mounting screws (DD). secure with cap nuts (AA).

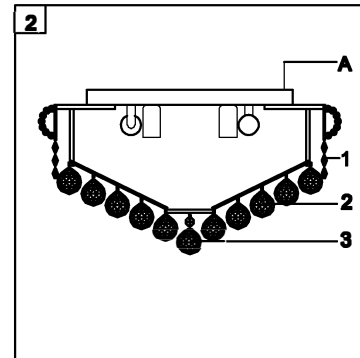



### Hardware Used

AA Cap nut  X 4  
DD Mounting screw  X 4

2. Please put the crystal(1) (2) (3) to the fixture (A) .

1  14mm\*3pcs 88PCS  
2  40mm\*1pcs 90PCS  
3  14mm\*1pcs 1PCS  
40mm\*1pcs



3. Install light bulbs ( not included).  
Use bulb  8\*40W Max.  
120V E12

