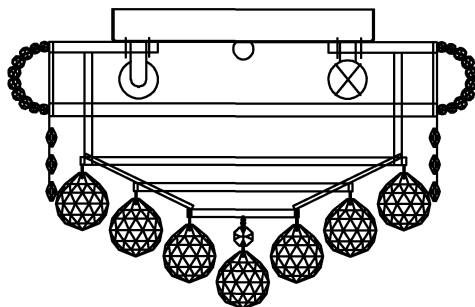


Trade Mark:  
CRYSTAL WORLD INC

Product Name: Ceiling lamp  
Model :8001C14C  
120Vac, 60Hz,AC ONLY  
Lamp size:Ø14"XH9"

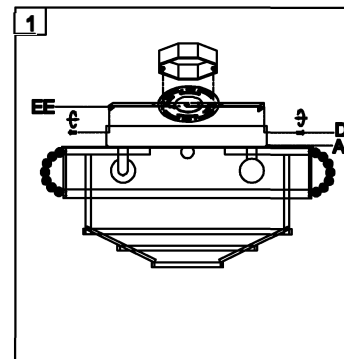


## CEILING LAMP ASSEMBLY INSTRUCTIONS




1. Place fixture (A) onto Crossbar (EE).  
secure with Mounting screw (DD).

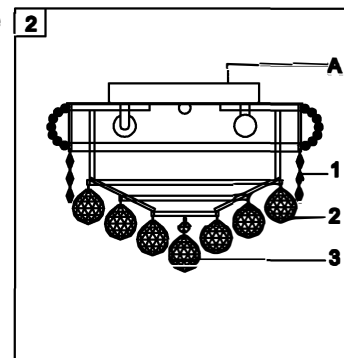
### Hardware Used


DD Mounting screw  X 2



2. Please put the crystal (1) (2) (3) to the  
fixture (A) .

1  14mm\*3pcs 57PCS  
2  40mm\*1pcs 36PCS  
3  14mm\*1pcs 1PCS  
40mm\*1pcs



3. Install light bulbs ( not included).  
Use bulb  4\*40W Max.  
120V E12

