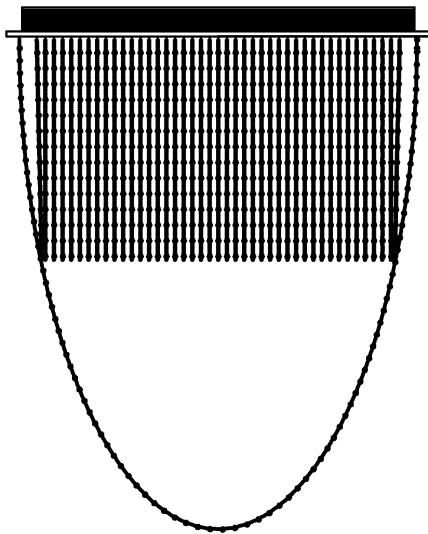


Trade Mark:  
CRYSTAL WORLD INC

Product Name: Ceiling lamp  
Model :6614C32C-S  
120Vac, 60Hz,AC ONLY  
Lamp size:32"x32"xH39"

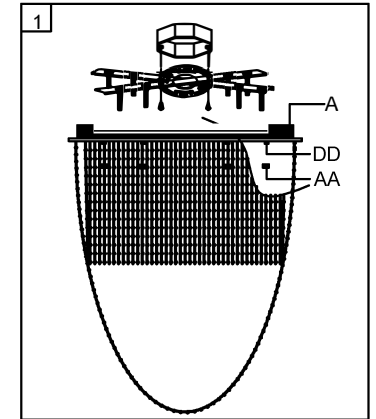


## CEILING LAMP ASSEMBLY INSTRUCTIONS

1. Place fixture(A) onto mounting screws (DD).secure with cap nuts (AA).

### Hardware Used

AA Cap nut		X 4
DD Mounting screw		X 4



2. Install light bulbs ( not included).

Use bulb  
120V GU10  16\*35W Max.

