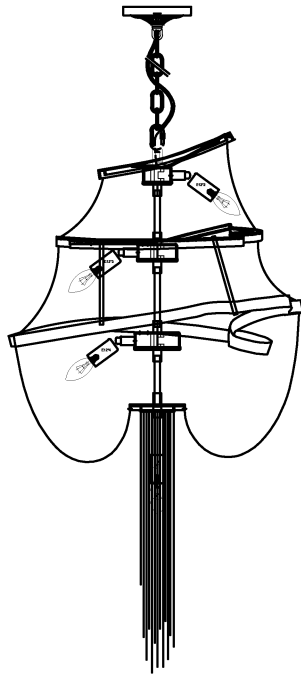


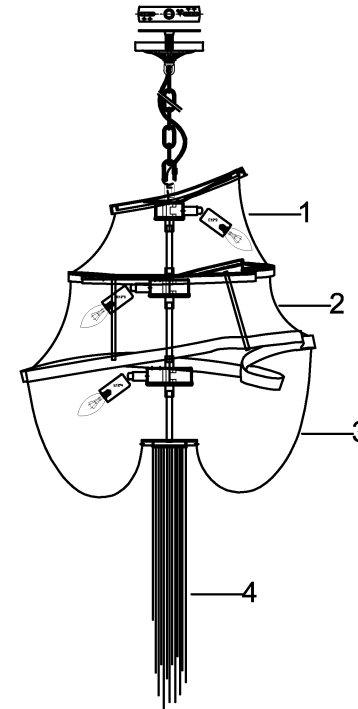
Trade Mark:
CRYSTAL WORLD INC

Product Name: Pendant lamp
Model :5654P20C
120Vac, 60Hz,AC ONLY
Lamp Size:D20"*H36"



PENDANT LAMP ASSEMBLY INSTRUCTIONS

- 1.Please put the glass(C) on the (B).
- 2.Please fix (A) with (B).
- 3.Install bulbs (NOT INCLUDED).USE **120V E12 9*40W Max.**



- | | |
|----------|--------|
| 1: 180MM | 254pcs |
| 2: 180MM | 492pcs |
| 3: 430MM | 439pcs |
| 4: 460MM | 52pcs |

