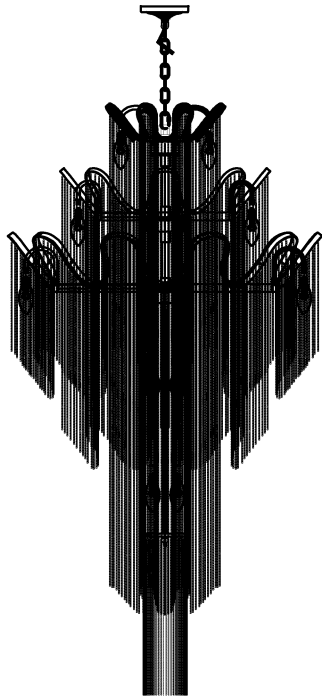



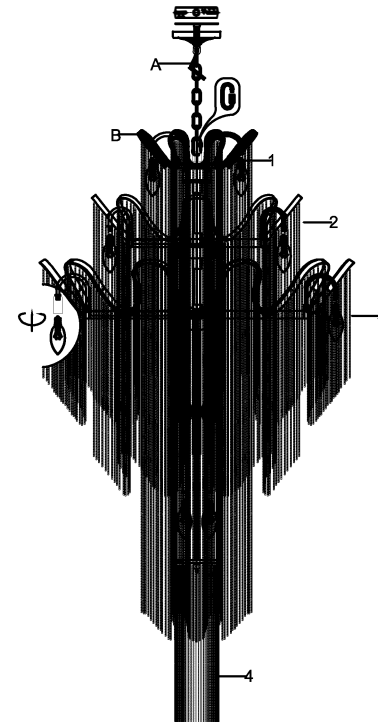
Trade Mark:  
CRYSTAL WORLD INC

Product Name: Pendant lamp  
Model :5650P32C  
120Vac, 60Hz,AC ONLY  
Lamp Size:D32"\*H59"



## PENDANT LAMP ASSEMBLY INSTRUCTIONS

- 1.Please put the glass(C) on the (B).
- 2.Please fix (A) with (B).
- 3.Install bulbs ( NOT INCLUDED).USE **120V E12**  **17\*40W Max.**



- 1: 1200MM - 552PCS
- 2: 650MM - 724PCS
- 3: 280MM - 1104PCS
- 4: 400MM - 88PCS

