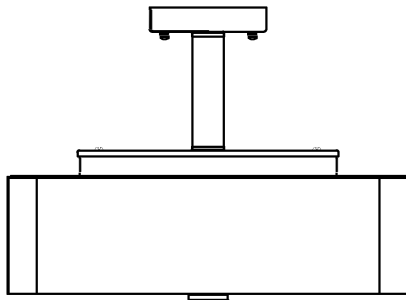


Trade Mark:
CRYSTAL WORLD INC

Product Name: Pendant lamp
Model :5571P17C-S
120Vac, 60Hz,AC ONLY
Lamp Size:L17"*W17"*H12"

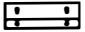




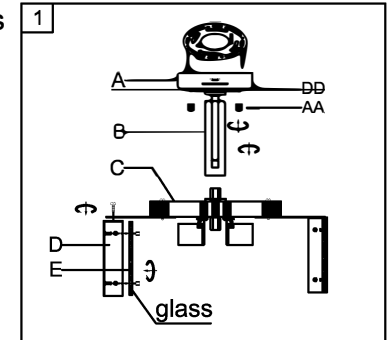
Intertek
4006677


CEILING LAMP ASSEMBLY INSTRUCTIONS

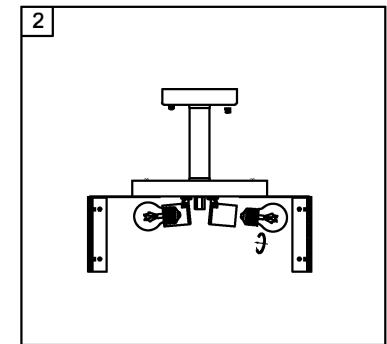
- Place fixture(A) onto mounting screws (DD).secure with cap nuts (AA). Place fix (A) and (B) with (C),(D) and (E)with(C).

Hardware Used

D		X 4
AA Cap nut		X 2
DD Mounting screw		X 2



- Install light bulbs (not included).
Use bulb
120V E26  4*60W Max.



- Place fix (F) with (C).

