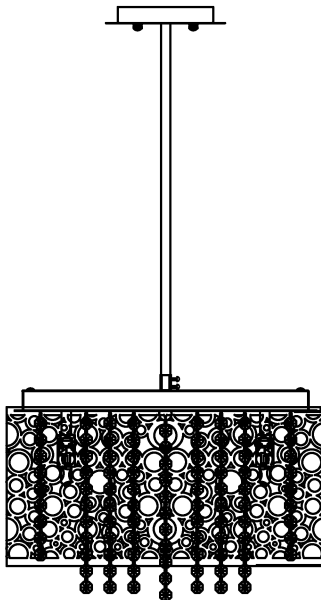


Trade Mark:
CRYSTAL WORLD INC

Product Name: Pendant lamp
Model : 5536P16ST
120Vac, 60Hz, AC ONLY
Lamp Size: Ø16"*H10"

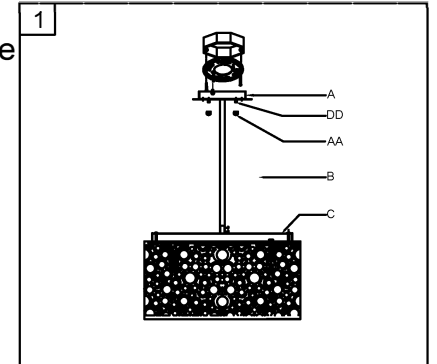


PENDANT LAMP ASSEMBLY INSTRUCTIONS

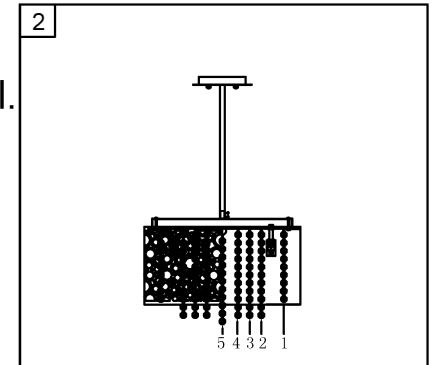
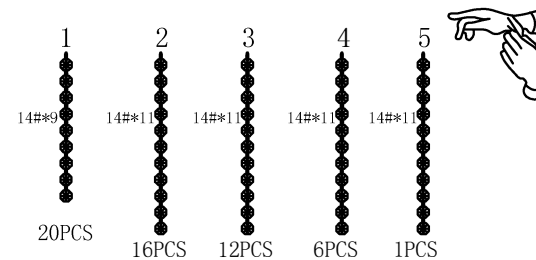
1. Place fixture (A) onto mounting screws (DD). secure with cap nuts (AA). Please fix (A) with (B). (B) with (C)


Hardware Used

AA Cap nut  X 2
DD Mounting screw  X 2



2. Please wear gloves when you hanging the crystal.



3. Install light bulbs (not included).
Use bulb
120V G9  6*40W Max.

