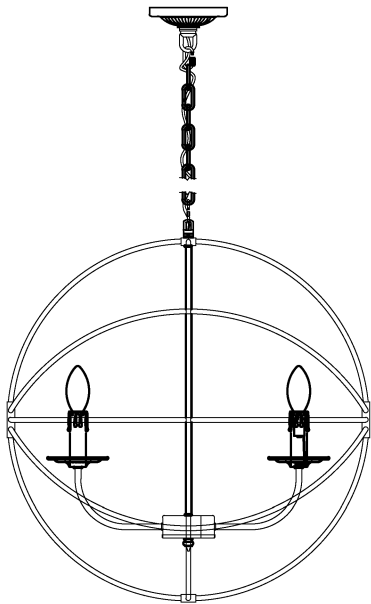


Trade Mark:  
CRYSTAL WORLD INC

Product Name: Pendant lamp  
Model :5464P22-8  
120Vac, 60Hz,AC ONLY  
Lamp Size:Ø22\*H22"

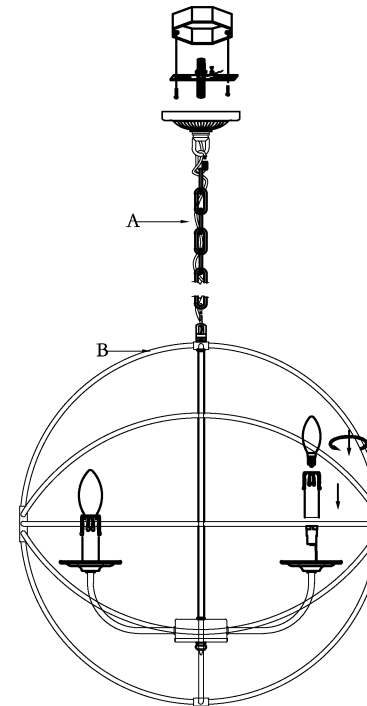


Page 1/4



## PENDANT LAMP ASSEMBLY INSTRUCTIONS

1. Install bulbs( NOT INCLUDED).USE 120V E12 8\*40W Max.



Page 2/4