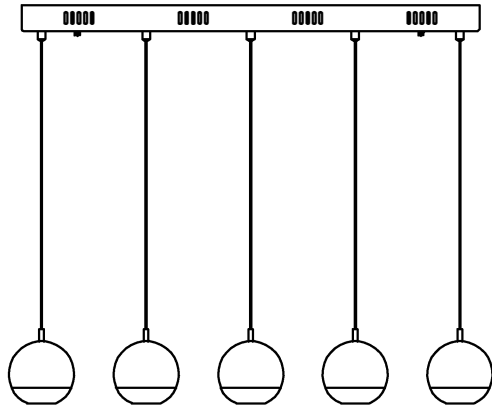


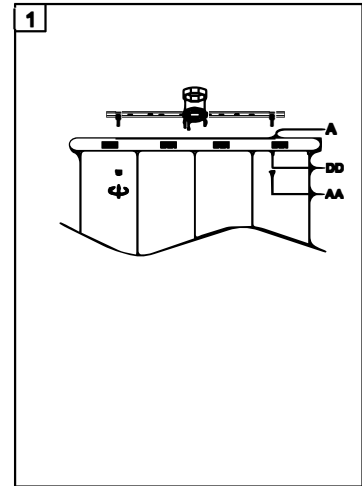
Trade Mark:
CRYSTAL WORLD INC

Product Name: Pendant lamp
Model :5444P28C-RC
120Vac, 60Hz,AC ONLY
Lamp Size:L28**W5**H6"-H48"



PENDANT LAMP ASSEMBLY INSTRUCTIONS


1. Place fixture(A) onto mounting screws (DD), secure with cap nuts (AA).



Hardware Used

AA Cap nut  X 2

DD Mounting screw  X 2

2. Install light bulbs (not included).
Use bulb  12V G4 5*20W Max.

