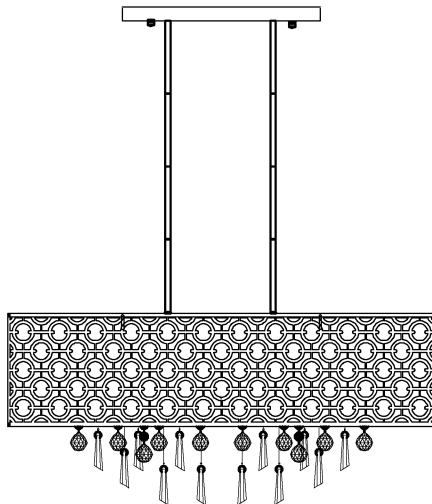


Trade Mark:  
CRYSTAL WORLD INC

Product Name: Pendant lamp  
Model :5430P30ST-O  
120Vac, 60Hz,AC ONLY  
LampSize:L30"W9"X26"-73"H

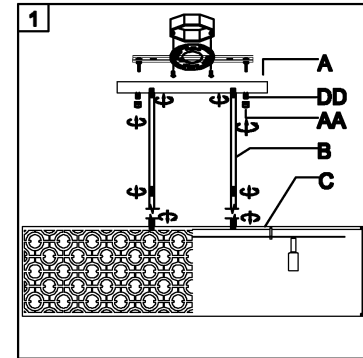


## PENDANT LAMP ASSEMBLY INSTRUCTIONS

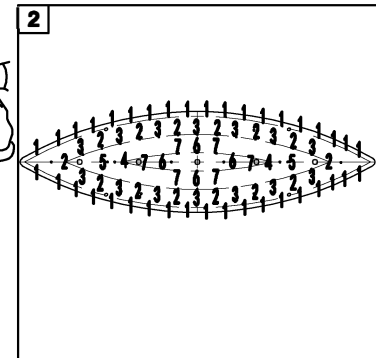
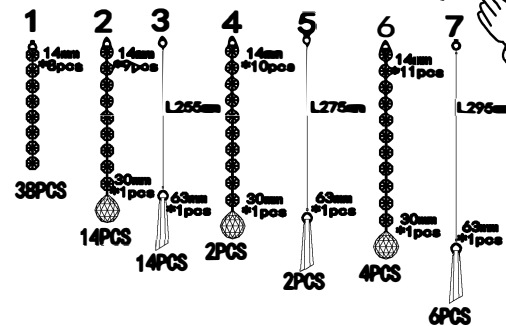
1.Screw (B) onto the lampbody (C) ,  
Screw (B) onto (A) secure with screw.  
Place fixture (A) onto mounting screws  
(DD).secure with cap nuts (AA).

### Hardware Used

AA Cap nut  X 2  
DD Mounting screw  X 2



2.Please hang the crystal(1) (2) (3) (4)  
(5) (6) (7) to the fixture .



3.light bulbs ( not included ).  
120V G9  5\*40W Max.

