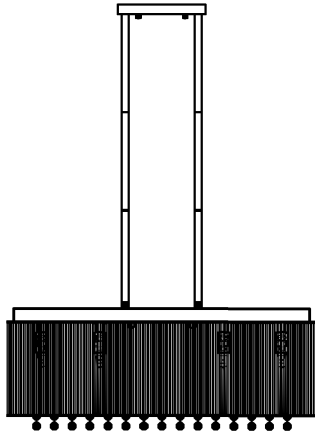


Trade Mark:  
CRYSTAL WORLD INC

Product Name: Pendant lamp  
Model :5320P26C-S  
120Vac, 60Hz,AC ONLY  
Lampsize:L26"\*W26"\*H21"~68"



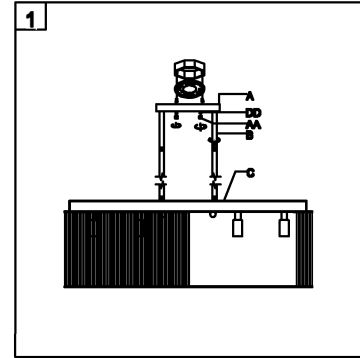
Intertek  
4006677

## PENDANT LAMP ASSEMBLY INSTRUCTIONS

1.Screw (B) onto the lampbody (C) ,  
Screw (B) onto the (A) secure with screw.  
Place fixture (A) onto mounting screws (DD).  
secure with cap nuts (AA).

### Hardware Used

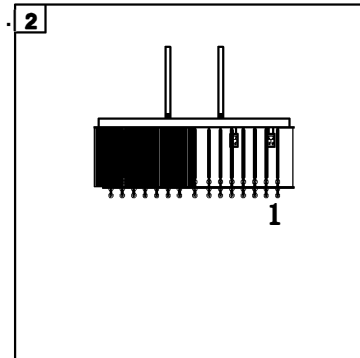
AA Cap nut		X 2
DD Mounting screw		X 2



2.Please put the crystal (1) to the fixture



249PCS



3.Install light bulbs ( not included).  
Use Bulb  
120V G9 12\*40W Max.

