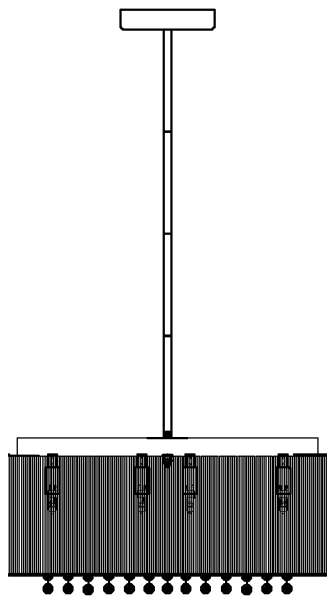


Trade Mark:
CRYSTAL WORLD INC

Product Name: Pendant lamp
Model :5320P20C-S
120Vac, 60Hz,AC ONLY
Lampsize:L20"*W20"*H21""~68"



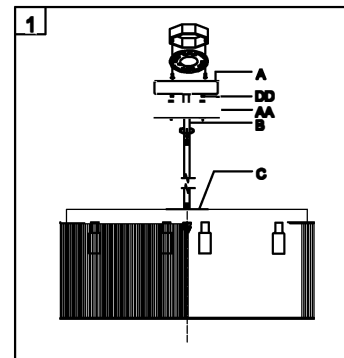
Intertek
4006677

PENDANT LAMP ASSEMBLY INSTRUCTIONS

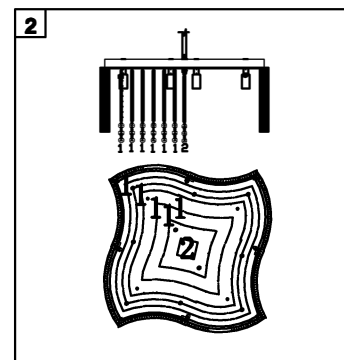
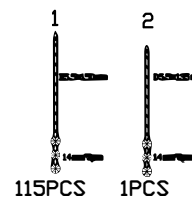
- 1.Screw (B) onto the lampbody (C) ,
Screw (B) onto the (A) secure with screw.
Place fixture (A) onto mounting screws (DD).
secure with cap nuts (AA).

Hardware Used

AA Cap nut		X 2
DD Mounting screw		X 2



- 2.Please open the clear plastic bag carefully.and put the crystal(1)(2) to the fixture .



- 3.Install light bulbs (not included).
Use Bulb
120V G9 10*40W Max.

