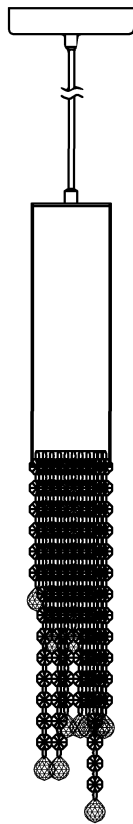


Trade Mark:
CRYSTAL WORLD INC

Product Name: Pendant lamp
Model :5081P5C-R
120Vac, 60Hz,AC ONLY
Lamp Size:D5"H20"to48"

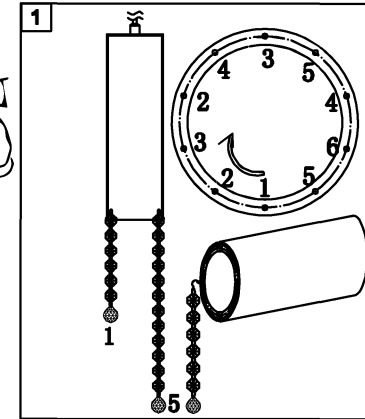
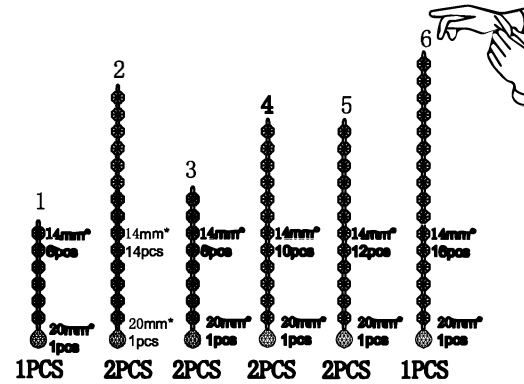


Page 1/4

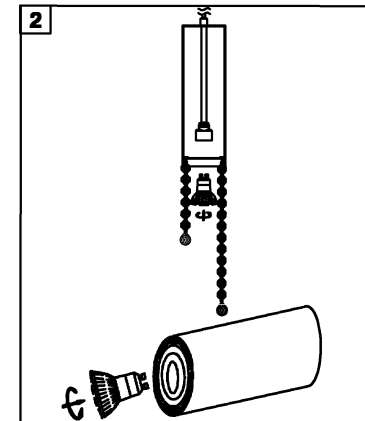


PENDANT LAMP ASSEMBLY INSTRUCTIONS

1. Please hang the crystal(1) (2) (3) (4) (5) (6) to the fixture .



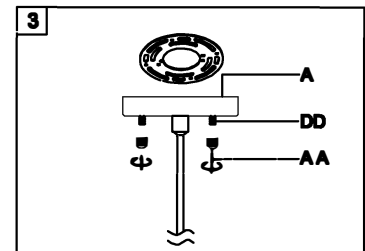
2. light bulbs (not included).
120V GU10 1*35W Max.



3. Place fixture(A) onto mounting screws (DD).secure with cap nuts (AA) .

Hardware Used

- | | | |
|-------------------|---|-----|
| AA Cap nut |  | X 2 |
| DD Mounting screw |  | X 2 |



Page 2/4