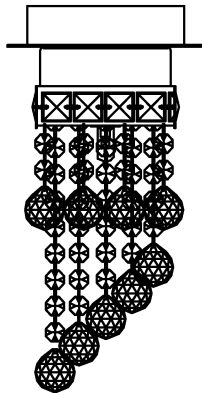


Trade Mark:  
CRYSTAL WORLD INC

Product Name: Ceiling lamp  
Model :5072C6C-R  
120Vac, 60Hz,AC ONLY  
Lamp size:Ø6"XH11"

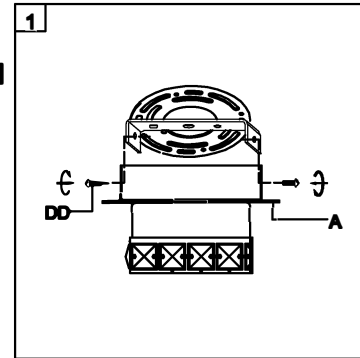


## CEILING LAMP ASSEMBLY INSTRUCTIONS

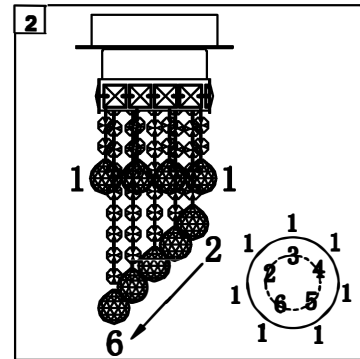
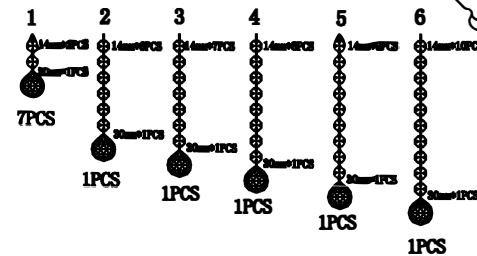
- Place fixture (A) onto Crossbar (EE), secure with Mounting screw (DD).  
Note: The fixture (A) should be installed with the sockets facing down.


### Hardware Used

DD Mounting screw  X 2



- Please put the crystal (1) (2) (3) (4) (5) (6) to the fixture.



- Install light bulbs (not included).  
Use bulb  
120V G9  1\*40W Max.

