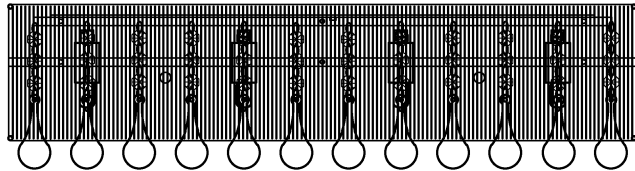


Trade Mark:
CRYSTAL WORLD INC


Product Name: Wall lamp
Model :5005W24C-RC
120Vac, 60Hz,AC ONLY
Lamp Size:W24"xH7"xE5"

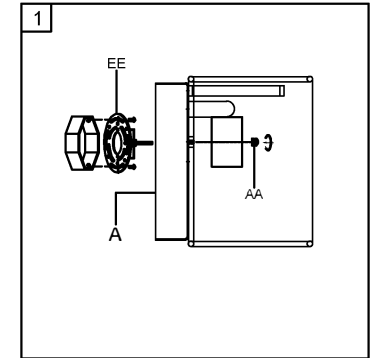


WALL LAMP ASSEMBLY INSTRUCTIONS

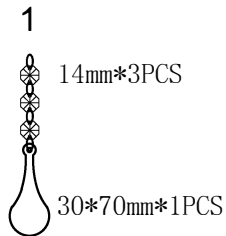
1. Place fixture(A) onto Butterfly (EE).
Secure with cap nuts (AA).

Hardware Used

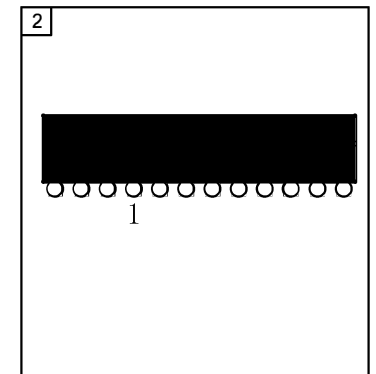
AA Cap nut  X 2




2. Please hang the crystal (1) to the fixture.



14PCS



3. Install light bulbs (not included).
Use bulb  **120V G9 4*40W Max.**

