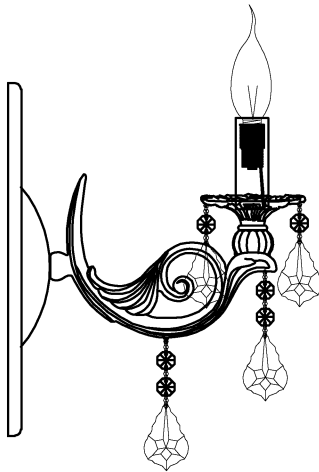


Trade Mark:  
CRYSTAL WORLD INC

Product Name: Wall lamp  
Model :2050W5GB-1  
120Vac, 60Hz,AC ONLY  
Lamp Size: W5"xH11"xE8"

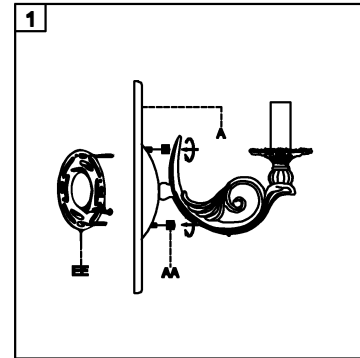


## WALL LAMP ASSEMBLY INSTRUCTIONS

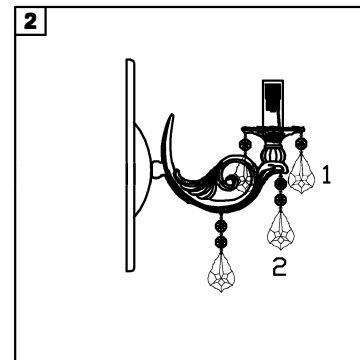
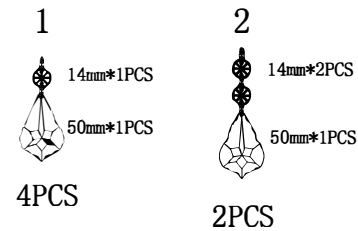
- 1.Place fixture(A) onto Butterfly (EE).  
Secure with cap nuts (AA).

### Hardware Used

AA Cap nut  X 2



- 2.Please hang the crystal(1) (2) to the  
fixture (A).



- 3.Install light bulbs ( not included).  
Use bulb

120V  E12 1x40W Max.

