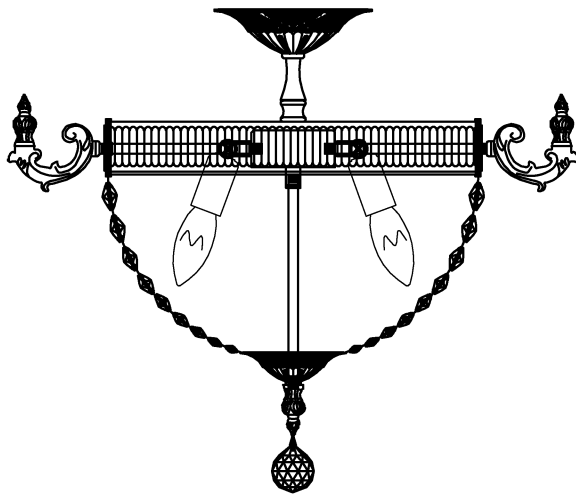


Trade Mark:
CRYSTAL WORLD INC

Product Name: Ceiling lamp
Model :2048C22
120Vac, 60Hz,AC ONLY
Lamp size:ø22"XH20"

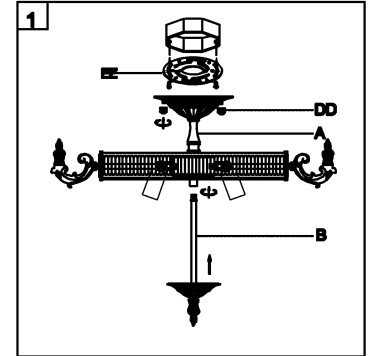


CEILING LAMP ASSEMBLY INSTRUCTIONS

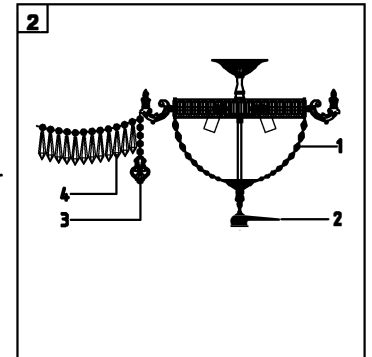
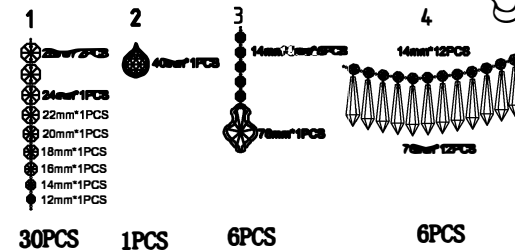
1. Place fixture (A) onto Butterfly (EE).
secure with Mounting screw (DD).
Place fix (B) with (A).


Hardware Used

AA Cap nut  X 2
DD Mounting screw  X 2



2. Please put the crystal(1) (2) (3) (4)
to the fixture (A).



3. Install light bulbs (not included).
Use bulb  6*40W Max.
120V E12

