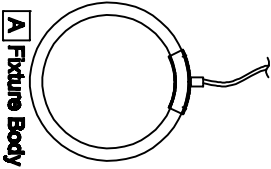
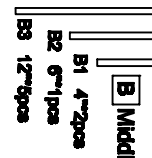
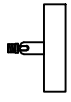
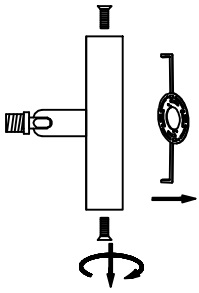

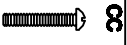
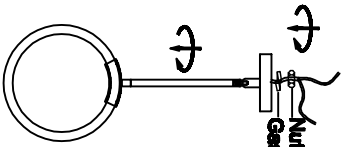
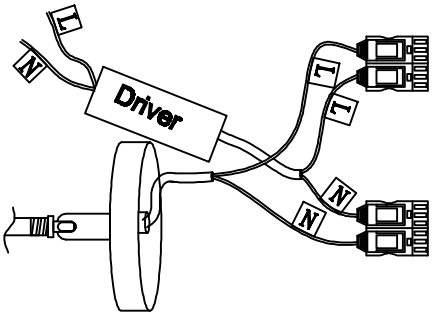
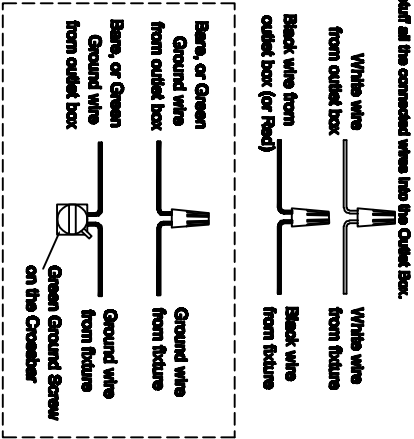
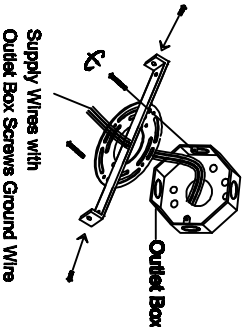
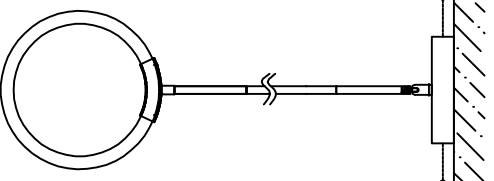


Assembly Instruction Sheet #IS-1273P10 For Style 1273P10

Tools Required: Flathead screwdriver, Phillips screwdriver, pliers, wire cutters, wire strippers, electrical tape, safety glasses.
Light Source: 120V LED 10W DIMMABLE (3000K)
Preparation: Identify and inspect all parts before beginning installation. Check package content list and diagrams below to be sure all parts are present. If any parts are missing or damaged, do not attempt to assemble, install, or operate the fixture. Contact customer service for replacement parts.

⚠ Warnings and Cautions
 Turn off electricity at circuit breaker or main fuse box before installation. Consult a licensed electrician if in doubt. These instructions are provided for your safety. It is very important you read them completely before installing the fixture. We strongly recommend that a licensed, professional electrician perform the installation. Disconnect fixture from power source before replacing bulbs. Make sure bulbs are given sufficient time to cool before removal.

<p>Package Contents</p>  <p>A Fixture Body x1</p>  <p>B Middle Rod</p> <p>B1 4" 2pcs B2 6" 1pcs B3 12" 6pcs</p>  <p>C Ceiling Canopy X1</p>	<p>STEP 1 - Release Crossbar from Ceiling Canopy.</p>  <p>Figure 1</p>						
<p>Hardware Contents</p> <table border="1"> <thead> <tr> <th>PART DESCRIPTION</th> <th>QUANTITY</th> </tr> </thead> <tbody> <tr> <td>BB Wire nut</td> <td>2pcs</td> </tr> <tr> <td>CC Screw</td> <td>2pcs</td> </tr> </tbody> </table>  <p>BB</p>  <p>CC</p>	PART DESCRIPTION	QUANTITY	BB Wire nut	2pcs	CC Screw	2pcs	<p>STEP 2 - Install Ceiling Canopy to Fixture Body.</p>  <p>Figure 2</p>
PART DESCRIPTION	QUANTITY						
BB Wire nut	2pcs						
CC Screw	2pcs						

<p>STEP 3 - Wire Connections.</p>  <p>Figure 3</p>	<p>STEP 5 - Wire Connections: Also standard wire connectors to make all wire connections. Twist connectors until wires are fully joined together. Wrap each connection with approved electrical tape and carefully snip at the connected wires into the Outlet Box.</p>  <p>White wire from outlet box White wire from fixture Black wire from outlet box (or Red) Black wire from fixture Bare, or Green Ground wire from outlet box Bare, or Green Ground wire from fixture Ground wire from fixture Ground wire from fixture Green Ground Screw on the Crossbar</p> <p>Figure 5</p>
<p>STEP 4 - Attach Mounting bracket to Outlet Box A. Pass the supply wires through the Mounting Bracket (EE). Attach the Mounting bracket (EE) to the Outlet Box with the head of the Green Ground Screw facing you. Secure it with Outlet Box Screws. Tighten until snug.</p>  <p>Figure 4</p>	<p>STEP 6 - Install Ceiling Canopy to Ceiling</p>  <p>Figure 6</p>