

Wire Length Adjustment

1, The locking pin is located at the metal canopy

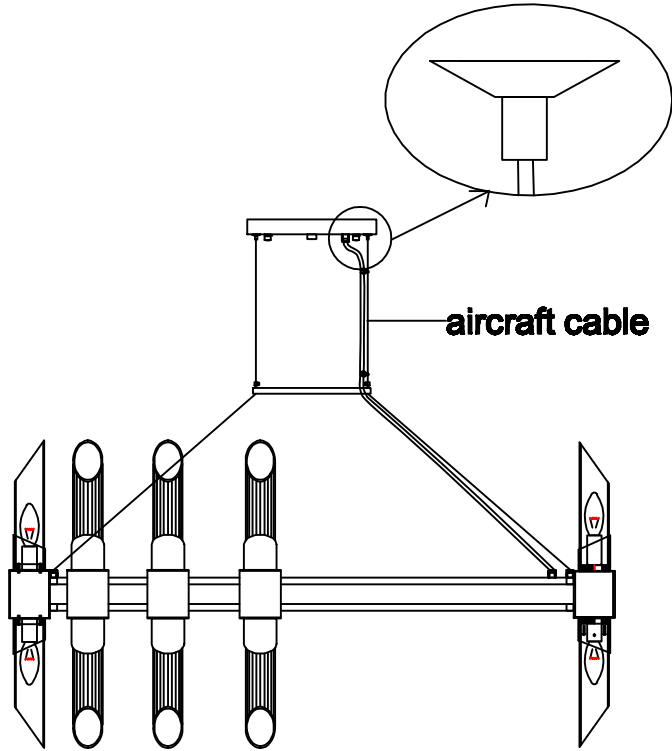


Figure 1

2, Locking pin

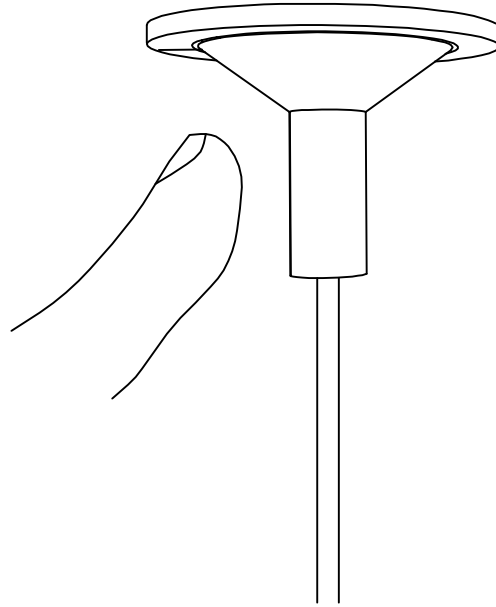


Figure 2

3, Long press the locking pin into the ceiling canopy, which will release the cable locking mechanism.

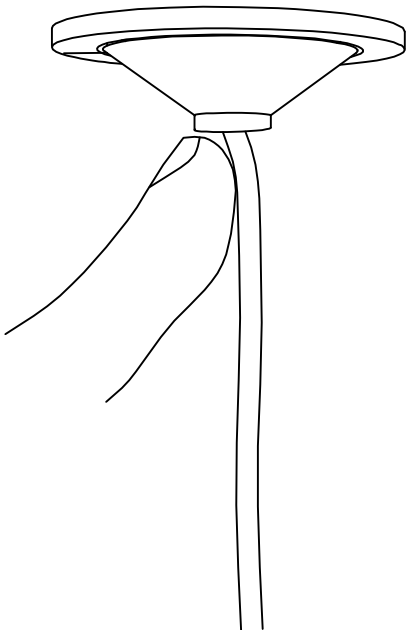


Figure 3

4, while holding the pin in place, simply pull down/push up the cable to adjust the height.

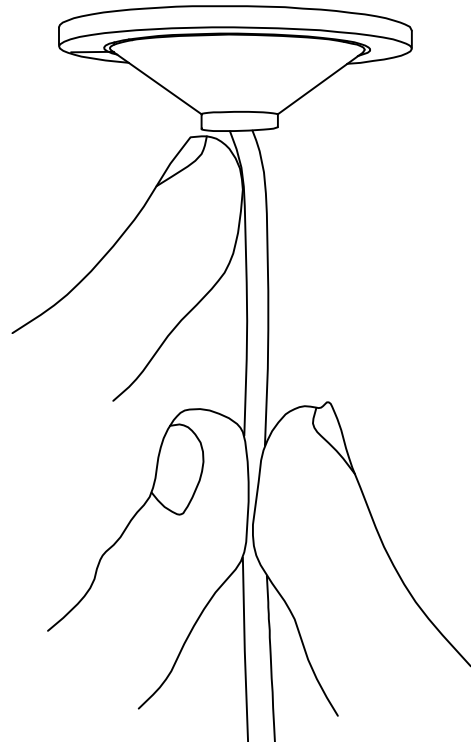


Figure 4