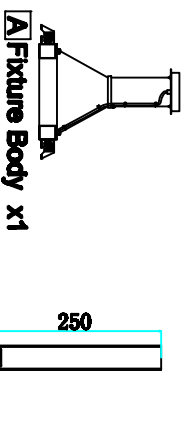


Assembly Instruction Sheet #S-1121P48 For Style 1121P48

Tools Required: Flathead screwdriver, Phillips screwdriver, pliers, wire cutters, wire strippers, electrical tape, safety glasses.
Light Source: (2) 08 MAX 40W (Not Included).
Estimated Assembly Time: 15-30 minutes.
Preparation: Identify and inspect all parts before beginning installation. Check package content list and diagrams before to be sure all parts are present. If any parts are missing or damaged, do not attempt to assemble, install, or operate the fixture. Contact customer service for replacement parts.

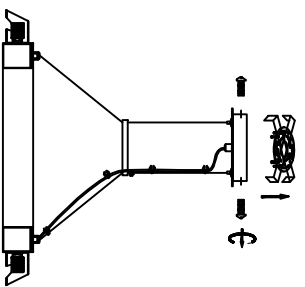
⚠ Warnings and Cautions
 Turn off electricity at circuit breaker or main fuse box before installation. Consult a licensed electrician if in doubt. These instructions are provided for your safety. It is very important you read them completely before installing the fixture. We strongly recommend that a licensed, professional electrician perform the installation. Disconnect fixture from power source before replacing bulbs. Make sure bulbs are given sufficient time to cool before removal.

Package Contents

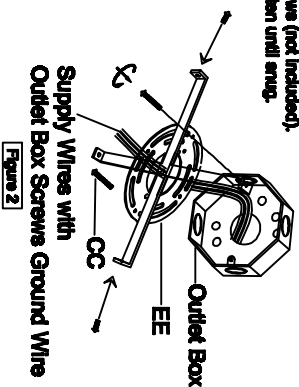


Hardware Contents		QUANTITY	
PART DESCRIPTION			
BB	wire nut	2pos	
CC	Screw	2pos	
BB	Screw		2pos
CC			2pos

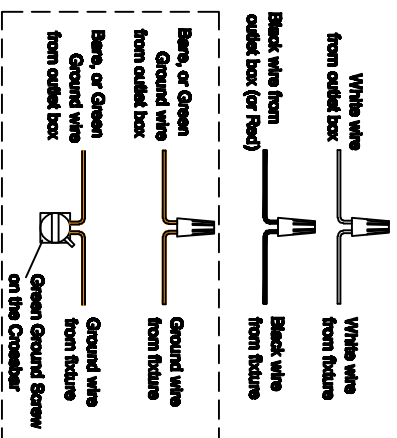
STEP 1 - Release Crossbar from Ceiling Canopy.



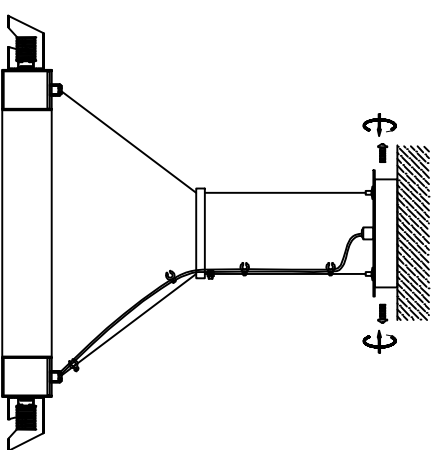
STEP 2 - Attach Crossbar to Outlet Box.
 A. Pass the supply wires through the Crossbar (EE). Attach the Crossbar (EE) to the Outlet Box (CC) with the head of the Green Ground Screw (BB) you. Secure it with Outlet Box Screws (not included). Tighten until snug.



STEP 3 - Wire Connections
 A. Use standard wire connectors to make all wire connections. Twist connectors until wires are tightly joined together. Wrap each connection with approved electrical tape and carefully stuff all the connected wires into the Outlet Box.



STEP 4 - Install Ceiling Canopy to Ceiling



STEP 5 - Install Glass and bulb.

