

Assembly Instruction Sheet #S-1100W10 For Style 1100W10

Tools Required: Flathead screwdriver, Phillips screwdriver, pliers, wire cutters, wire strippers, electrical tape, safety glasses.
Light Source: (1) E12 Base bulb (see Backplate (Not Include)).
Estimated Assembly Time: 15-30 minutes
 Preparation: Identify and inspect all parts before beginning installation. Check package content list and diagrams below to be sure all parts are present. If any parts are missing or damaged, do not attempt to assemble, test, or operate the fixture. Contact customer service for replacement parts.

⚠ Warnings and Cautions
 Turn off electricity at circuit breaker or main fuse box before installation. Consult a licensed electrician if in doubt. These instructions are provided for your safety. It is very important you read them completely before testing the fixture. We strongly recommend that a licensed, professional electrician perform the installation. Disconnect fixture from power source before replacing bulbs. Make sure bulbs are given sufficient time to cool before removal.

Package Contents

-  Fixture Body X1
-  Crystal 22 *7
-  Crystal 22 *8

Hardware Contents

PART NUMBER	DESCRIPTION	QUANTITY
AA	Cap nut	2ea
AA	Thread	2ea
CC	Outlet Box	1ea
DD	Mounting Screws	2ea
EE	Mounting bracket	1ea
EE	Lock Washer	1ea
EE	Hex Nuts	2ea

STEP 1 - Attach Mounting Screws, Lock Washers and Hex Nuts to Mounting Bracket.
 A. Line up a set of holes on the Mounting bracket (EE) and Holes on the Backplate. Thread Mounting Screws (DD) into the holes on the Mounting bracket (EE). Pass Lock Nuts and Thread Hex Screws (DD) into the Mounting Screws (DD). Hand tighten until snug.

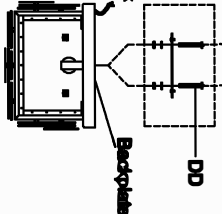


Figure 1

STEP 2 - Attach Mounting Bracket to Outlet Box
 A. Pass the supply wires through the Mounting bracket (EE). Attach the Mounting bracket (EE) to the Outlet Box with the head of the Green Ground Screw leading you. Secure it with Outlet Box Screws. Tighten until snug.

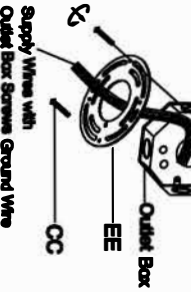


Figure 2

STEP 3 - Fit Backplate to Mounting Bracket Assembly
 A. Fit the backplate to Mounting Screws (DD) and secure with Cap nut (AA). Note: The backplate should be snug against the ceiling and the Cap nut (AA). If not, adjust the length of the Mounting Screws (DD) by unscrewing the Hex Nut and Lock Washer and then screwing Mounting Screws (DD) in or out of the Mounting bracket (EE) until the correct length is achieved. Once the backplate is secure, remove the Cap nut (AA) and backplate and proceed to Step 4.

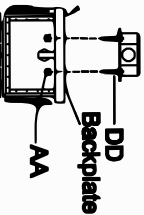


Figure 3

STEP 4 - Wire Connections
 A. Use standard wire connectors to make all wire connections. Twist connections until wires are tightly joined together. Wrap each connection with approved electrical tape and carefully seal all the connected wires into the Outlet Box.

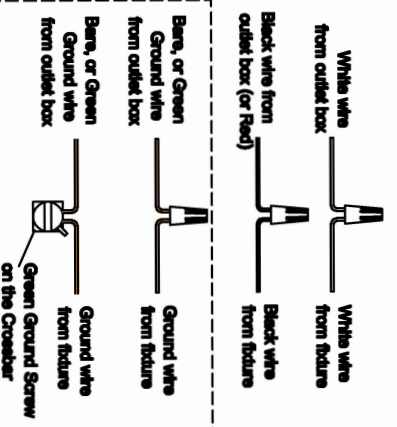


Figure 4

STEP 5 - Install Backplate to Ceiling
 A. Carefully tuck all wires into the outlet box and position the backplate of the Fixture Body (A) over the outlet box. Align the holes in the backplate with the Mounting Screws (DD). Secure with Cap nut (AA) and hand tighten until snug.

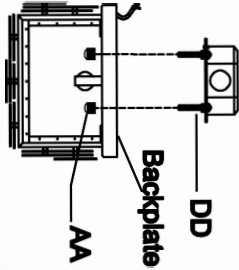


Figure 5

STEP 6 - Install Crystals and Bulbs.
 A. Install bulbs onto sockets and push snug into place.
 B. Please put the crystal to the Fixture Body (A).

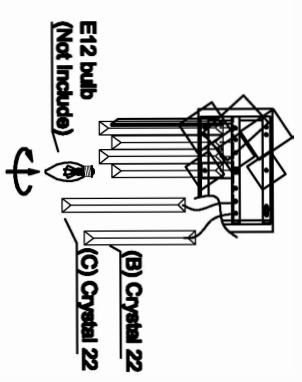


Figure 6