

STEP 3 - Attach Mounting bracket to Outlet Box

A. Pass the supply wires through the Mounting bracket (EE). Attach the Mounting bracket (EE) to the Outlet Box with the head of the Green Ground Screw facing you. Secure it with Outlet Box Screws (CC). Tighten until snug.

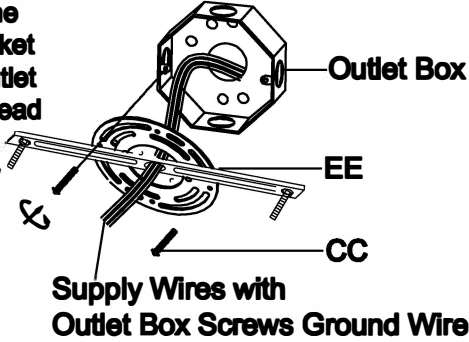


Figure 3

STEP 6 - Install Ceiling Canopy to Ceiling

A. Carefully tuck all wires into the outlet box and position the ceiling canopy of the Fixture Body (A) over the outlet box. Align the holes in the ceiling canopy with the Mounting Screws (DD). Secure with Cap nut (AA) and hand tighten until snug.

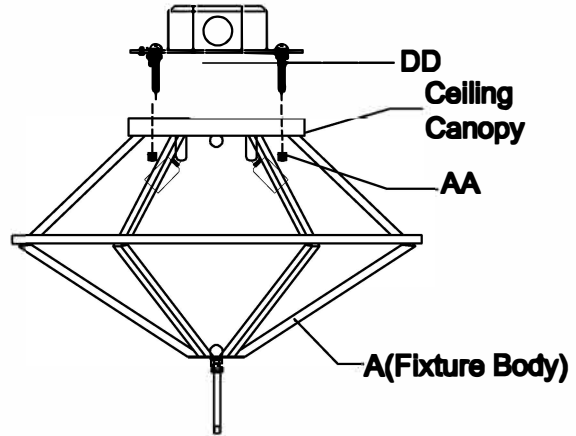


Figure 6

STEP 4 - Fit Ceiling Canopy to Mounting bracket Assembly

A. Fit the ceiling canopy to mounting screws (DD) and secure with cap nut (AA). Note: The ceiling canopy should be snug against the ceiling and the cap nut (AA). If not, adjust the length of the mounting screws (DD) by unscrewing the hex nut and lock washer and then screwing mounting screws (DD) in or out of the mounting bracket (EE) until the correct length is achieved. Once the ceiling canopy is secure, remove the cap nut (AA) and ceiling canopy and proceed to Step 5.

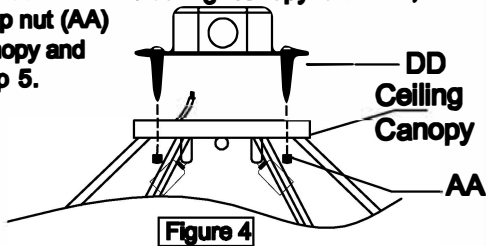


Figure 4

STEP 7 - Install Crystal Ball and Bulbs.

A. Thread the socket cover (E), the socket cover (G) and crystal ball (F) through the nibble in order. Then use cap nut (K) to fix them together.

B. Install bulbs onto sockets and push snug into place.

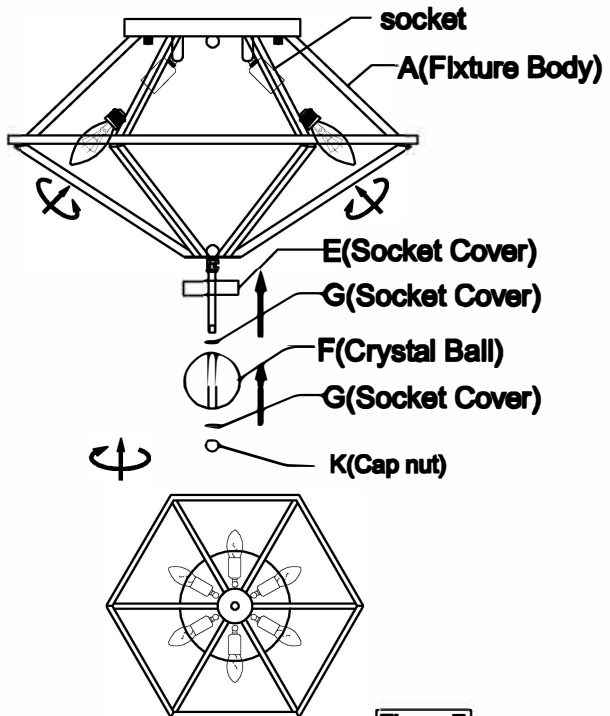


Figure 7

STEP 5 - Wire Connections

A. Use standard wire connectors to make all wire connections. Twist connectors until wires are tightly joined together. Wrap each connection with approved electrical tape and carefully stuff all the connected wires into the Outlet Box.

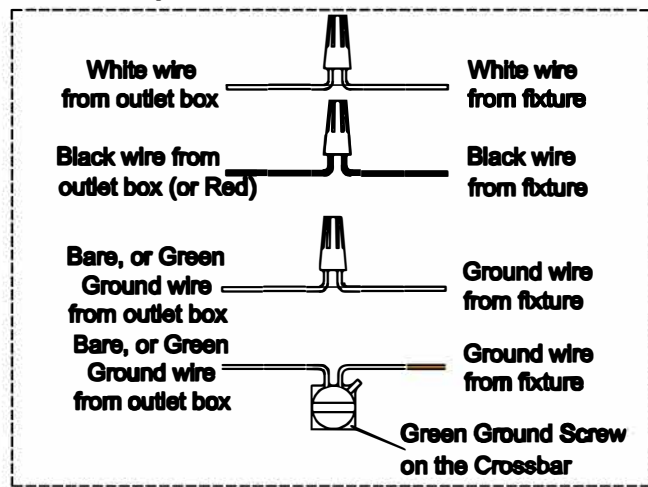


Figure 5