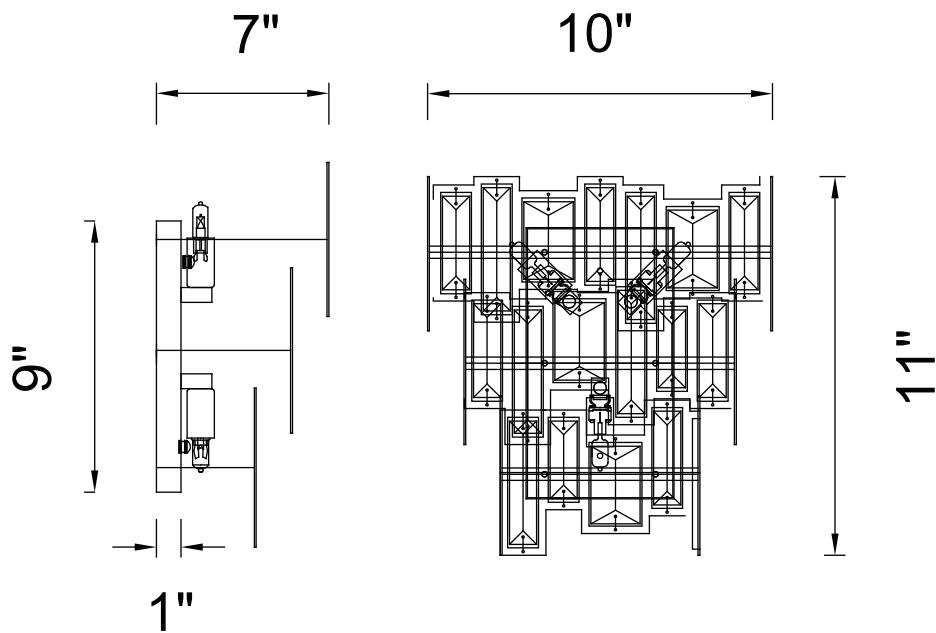




PROJECT: _____
 FIXTURE TYPE: _____
 LOCATION: _____
 CONTACT/PHONE: _____



Item	9903W10-3-193
Collection	QUIDA
Finish	Champagne
Glass	-----
Crystal	Clear
Input	120V AC,60HZ,AC

Shade	-----
Length/Dia.	10"
Width/Ext.	7"
Height	11"
Maximum	-----
Lumens	-----

Light Source	G9
Bulb Info.	3x40W
Included	-----
Dimmable	Yes
Color	-----
Weight	