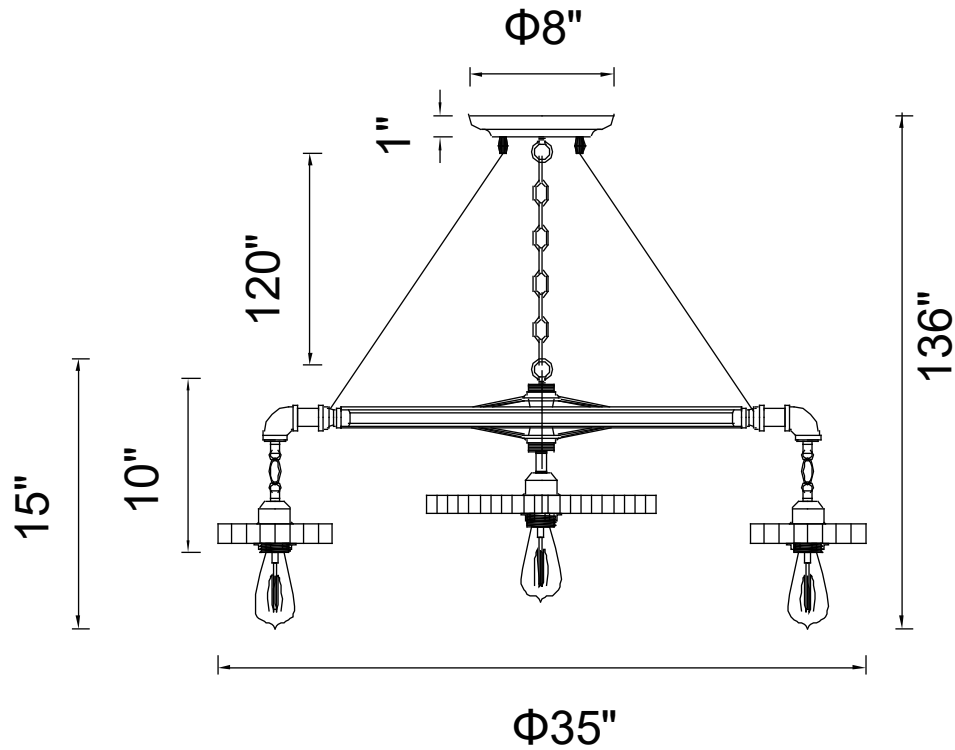


PROJECT: \_\_\_\_\_

FIXTURE TYPE: \_\_\_\_\_

LOCATION: \_\_\_\_\_

CONTACT/PHONE: \_\_\_\_\_



|            |                  |
|------------|------------------|
| Item       | 9723P35-7-211    |
| Collection | PRADO            |
| Finish     | Blackened Copper |
| Glass      | -----            |
| Crystal    | -----            |
| Input      | 120V AC,60HZ,AC  |

|             |       |
|-------------|-------|
| Shade       | ----- |
| Length/Dia. | 35"   |
| Width/Ext.  | ----- |
| Height      | 15"   |
| Maximum     | 136"  |
| Lumens      | ----- |

|              |       |
|--------------|-------|
| Light Source | E26   |
| Bulb Info.   | 7×60W |
| Included     | ----- |
| Dimmable     | Yes   |
| Color        | ----- |
| Weight       | ----- |