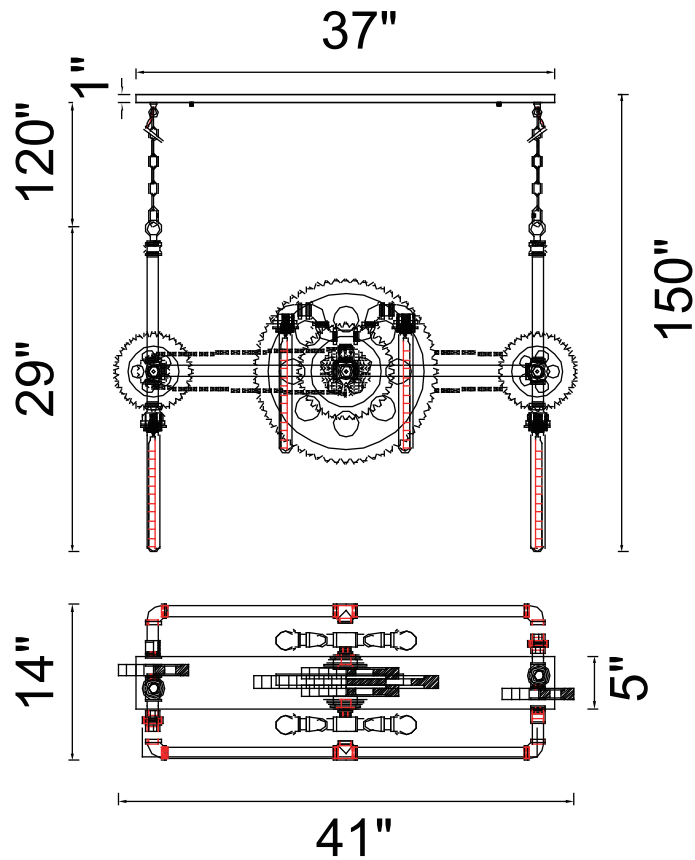


PROJECT: \_\_\_\_\_

FIXTURE TYPE: \_\_\_\_\_

LOCATION: \_\_\_\_\_

CONTACT/PHONE: \_\_\_\_\_



Item	9712P41-6-187
Collection	ODER
Finish	Silver Gray
Glass	-----
Crystal	-----
Input	120V AC,60HZ,AC

Shade	-----
Length/Dia.	41"
Width/Ext.	14"
Height	29"
Maximum	150"
Lumens	-----

Light Source	E26
Bulb Info.	6x60W
Included	-----
Dimmable	Yes
Color	-----
Weight	