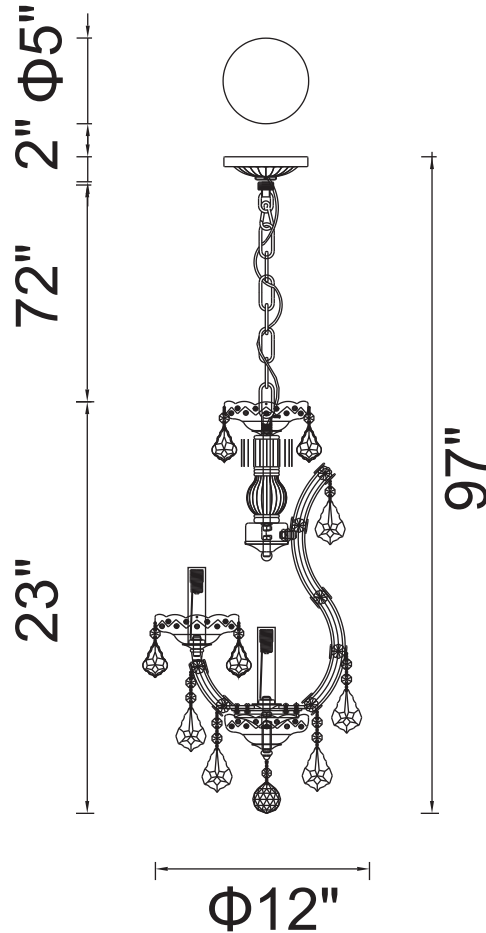


PROJECT: \_\_\_\_\_

FIXTURE TYPE: \_\_\_\_\_

LOCATION: \_\_\_\_\_

CONTACT/PHONE: \_\_\_\_\_



Item	8311P12C-3
Collection	MARIA THERESA
Finish	Chrome
Glass	-----
Crystal	Clear
Input	120V AC,60HZ,AC

Shade	-----
Length/Dia.	12"
Width/Ext.	-----
Height	23"
Maximum	97"
Lumens	-----

Light Source	E12
Bulb Info.	3x60W
Included	-----
Dimmable	Yes
Color	-----
Weight	