

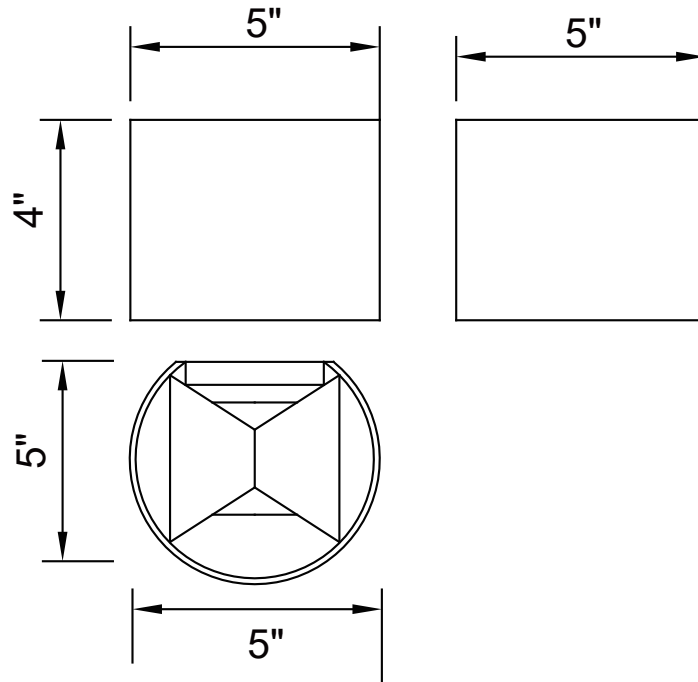


PROJECT: _____

FIXTURE TYPE: _____

LOCATION: _____

CONTACT/PHONE: _____



| | |
|------------|-----------------|
| Item | 7148W5-101-R |
| Collection | LILLIANA |
| Finish | Black |
| Glass | ----- |
| Crystal | ----- |
| Input | 120V AC,60HZ,AC |

| | |
|-------------|-------|
| Shade | ----- |
| Length/Dia. | 5" |
| Width/Ext. | 5" |
| Height | 4" |
| Maximum | 4" |
| Lumens | 480 |

| | |
|--------------|-------|
| Light Source | LED |
| Bulb Info. | 12W |
| Included | ----- |
| Dimmable | Yes |
| Color | 3000K |
| Weight | 0.5KG |