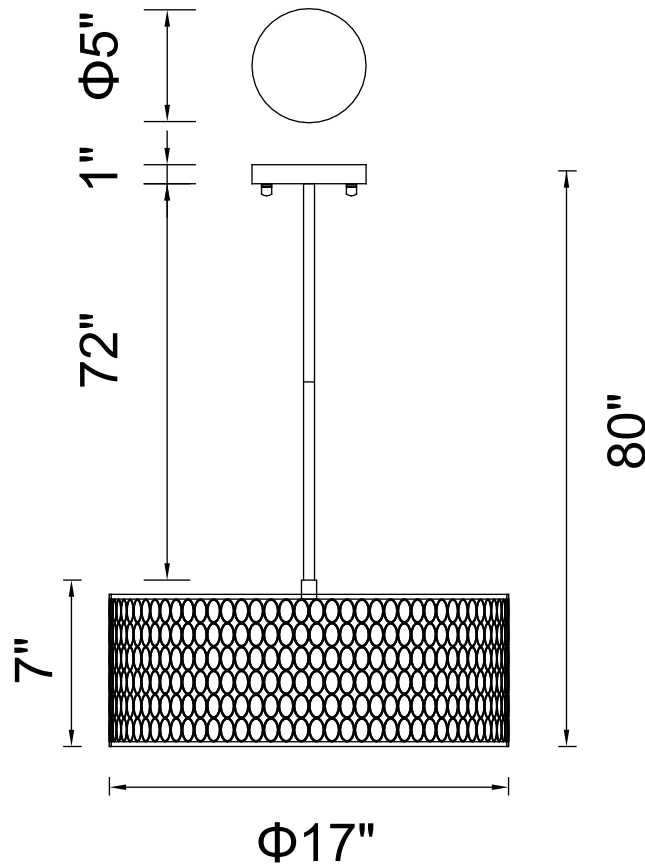




PROJECT: _____
 FIXTURE TYPE: _____
 LOCATION: _____
 CONTACT/PHONE: _____



| | |
|------------|-----------------|
| Item | 5555P17SN |
| Collection | MIKAYLA |
| Finish | Satin Nickel |
| Glass | ----- |
| Crystal | ----- |
| Input | 120V AC,60HZ,AC |

| | |
|-------------|-------|
| Shade | ----- |
| Length/Dia. | 17" |
| Width/Ext. | 7" |
| Height | 80" |
| Maximum | ----- |
| Lumens | ----- |

| | |
|--------------|-------|
| Light Source | E26 |
| Bulb Info. | 3x60W |
| Included | ----- |
| Dimmable | Yes |
| Color | ----- |
| Weight | ----- |