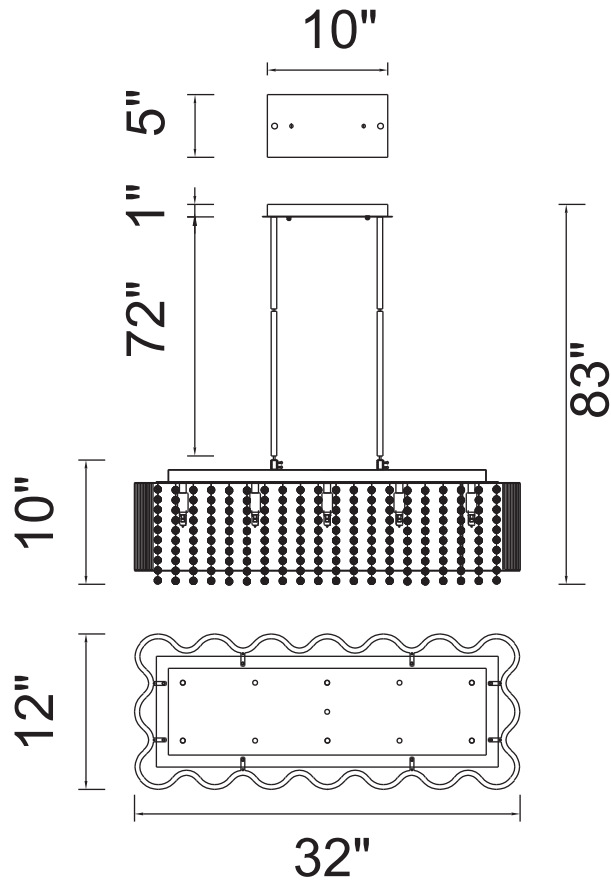




PROJECT: \_\_\_\_\_  
 FIXTURE TYPE: \_\_\_\_\_  
 LOCATION: \_\_\_\_\_  
 CONTACT/PHONE: \_\_\_\_\_



Item	5319P32C-RC-C
Collection	SPRING MORNING
Finish	Chrome
Glass	Clear
Crystal	Clear
Input	120V AC,60HZ,AC

Shade	-----
Length/Dia.	32"
Width/Ext.	12"
Height	10"
Maximum	83"
Lumens	-----

Light Source	G9
Bulb Info.	10×40W
Included	-----
Dimmable	Yes
Color	-----
Weight	