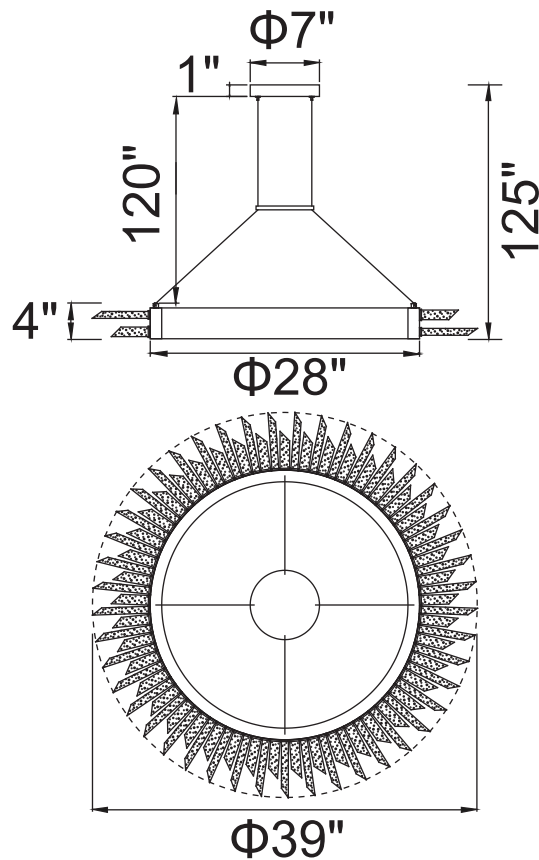


PROJECT: _____

FIXTURE TYPE: _____

LOCATION: _____

CONTACT/PHONE: _____



| | |
|------------|-----------------|
| Item | 1170P39-15-613 |
| Collection | THORNS |
| Finish | Polished Nickel |
| Glass | ----- |
| Crystal | Clear |
| Input | 120V AC,60HZ,AC |

| | |
|-------------|-------|
| Shade | ----- |
| Length/Dia. | 39" |
| Width/Ext. | 39" |
| Height | 4" |
| Maximum | 125" |
| Lumens | ----- |

| | |
|--------------|--------|
| Light Source | G9 |
| Bulb Info. | 15×40W |
| Included | ----- |
| Dimmable | Yes |
| Color | ----- |
| Weight | |