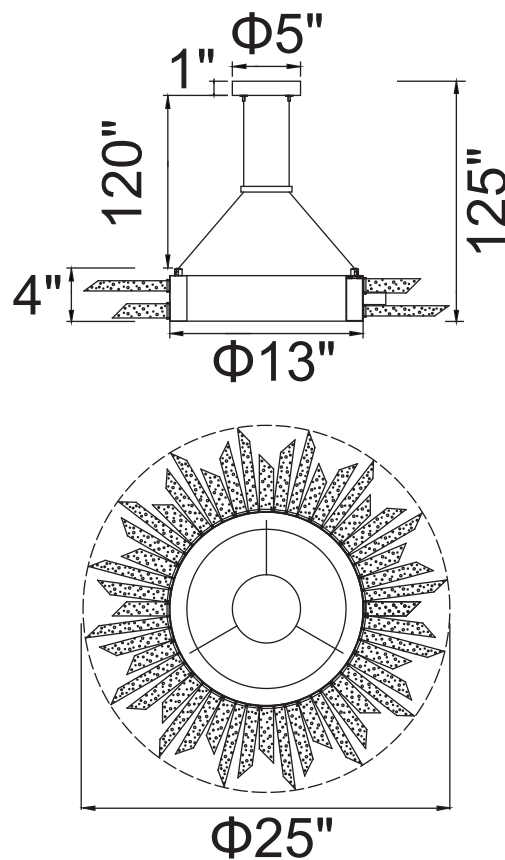


PROJECT: _____

FIXTURE TYPE: _____

LOCATION: _____

CONTACT/PHONE: _____



Item	1170P25-8-613
Collection	THORNS
Finish	Polished Nickel
Glass	-----
Crystal	Clear
Input	120V AC,60HZ,AC

Shade	-----
Length/Dia.	25"
Width/Ext.	25"
Height	4"
Maximum	125"
Lumens	-----

Light Source	G9
Bulb Info.	8×40W
Included	-----
Dimmable	Yes
Color	-----
Weight	