

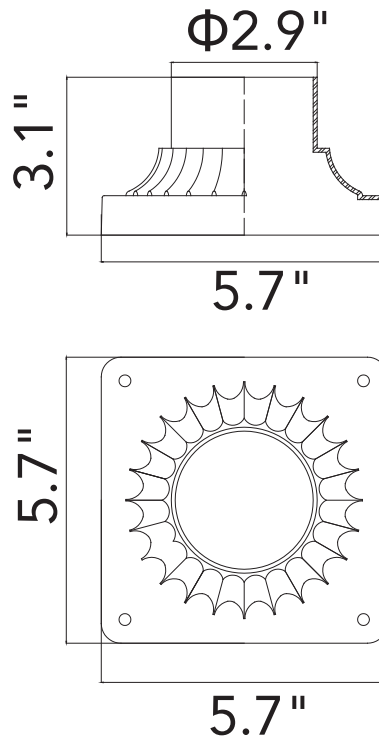


PROJECT: _____

FIXTURE TYPE: _____

LOCATION: _____

CONTACT/PHONE: _____



Item	0412B
Collection	
Finish	Black
Glass	-----
Crystal	-----
Input	-----

Shade	-----
Length/Dia.	5.7"
Width/Ext.	5.7"
Height	3.1"
Maximum	-----
Lumens	-----

Light Source	-----
Bulb Info.	-----
Included	-----
Dimmable	-----
Color	-----
Weight	