



see what Delta can doSM

TUB AND SHOWER FAUCET TRIM

- Stryke™ Bath Collection
- Valve Only (T17T076)
- Shower Only (T17T276)
- Tub/Shower (T17T476)

FEATURES:

- Tempassure® 17T Series thermostatic valve cartridge
- Five-setting H₂Okinetic® Technology shower head

STANDARD SPECIFICATIONS:

- Thermostatic wax element maintains the outlet temperature to ± 3.6 °F
- Maximum 1.75 gpm @ 80 psi, 7.6 L/min @ 550 kPa
- Tub port maximum flow rate 8.6 gpm @ 60 psi with R10000-UNBX
- For use with MultiChoice® Universal rough valve body (R10000 Series)
- Back-to-back installation capability
- Lever volume control handle; temperature adjustment dial
- Field adjustable to limit handle rotation into hot water zone
- All parts replaceable from the front of the valve
- Red/blue pad print temperature indicators on temperature adjustment dial
- Adjusts for up to 1" wall thickness
- Stem extension kit RP75136 can be ordered to allow for an additional 1 3/4" wall thickness. RP75136 ships with chrome escutcheon screws.

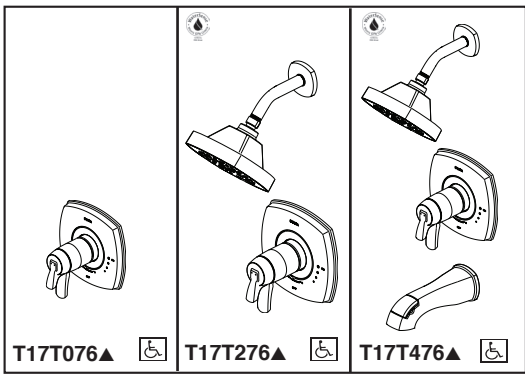
WARRANTY

- Lifetime limited warranty on parts (other than electronic parts and batteries) and finishes: or, for commercial users, for 5 years from date of purchase.
- 5 year limited warranty on electronic parts (other than batteries); or, for commercial users, for 1 year from the date of purchase. No warranty is provided on batteries.



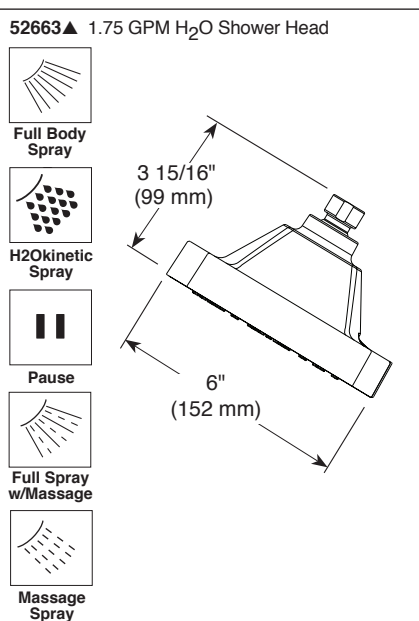
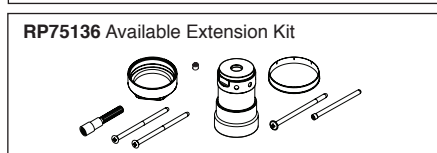
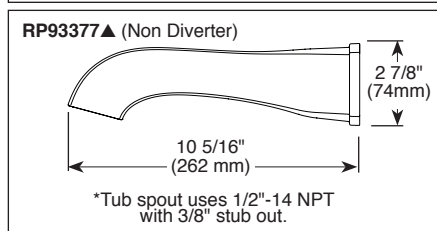
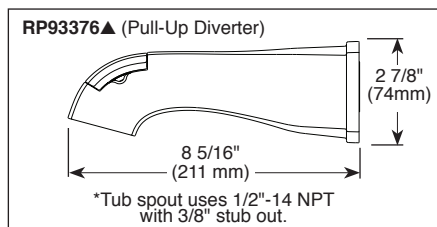
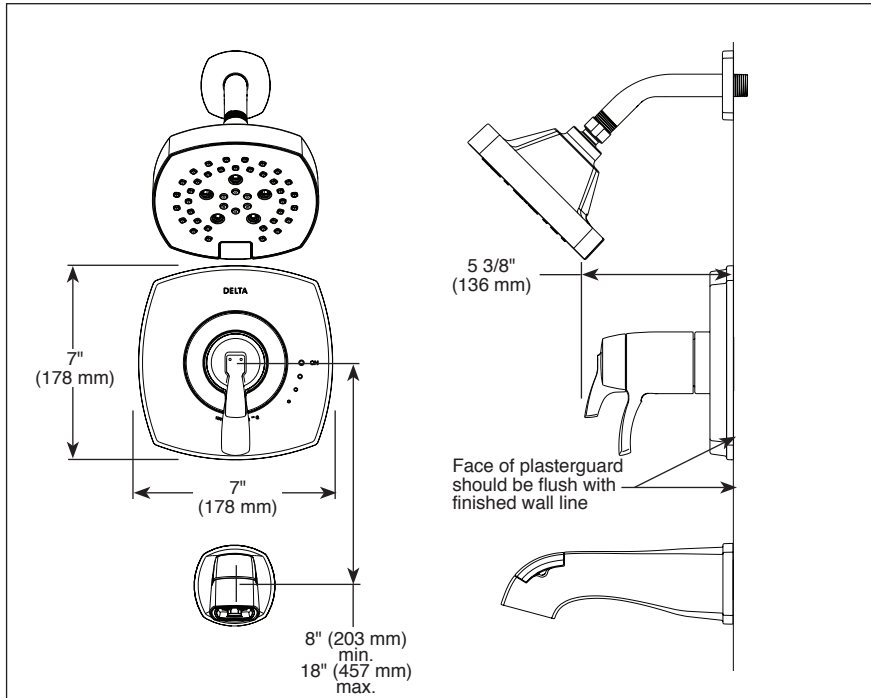
COMPLIES WITH:

- ASME A112.18.1 / CSA B125.1
- Indicates compliance to ICC/ANSI A117.1-Valve control only
- EPA WaterSense®



Submitted Model No.: _____

Specific Features: _____



▲ Designate Proper Finish Suffix

Delta reserves the right (1) to make changes in specifications and materials, and (2) to change or discontinue models, both without notice or obligation. Dimensions are for reference only. See current full-line price book or www.deltafaucet.com for finish options and product availability.

DSP-B-T17T076 Rev. B

Delta Faucet Company

55 E. 111th Street, Indianapolis, Indiana 46280
 350 South Edgeware Road, St. Thomas, ON N5P 4L1
 © 2018 Delta Faucet Company